

LOAD CHART MXC1090- MODEL: MAC 25 FULL POWER BOOM

SPECIFICATIONS :

APPLICABLE STANDARDS : AS 1418.1, AS1418.5
CRANE CLASSIFICATION : C3

DETACHABLE COUNTERWEIGHT : 1500 KG
- TO BE FRONT MOUNTED FOR ROAD TRAVEL
- FRANNA PART NO. PLMXF2009B

CONDITIONS :
FRONT SPRING LOCKOUTS TO BE ENGAGED FOR ALL
LIFTING AND PICK AND CARRY OPERATIONS

WINCH ROPE :
DIAMETER : 14mm
CONST : COMPAK 35W x 7 NR 2070 MPa
MIN. BREAKING FORCE 165 kN
MACHINE SPLICE & THIMBLE EYE
ONE END ONLY, LENGTH 110m

RETRACT ROPE :
DIAMETER : 11mm
CONST : 6 x 25 WRC G2070
MIN. BREAKING FORCE 82.4 kN

EXTENSION CHAIN :
TYPE : BL1066 LEAF CHAIN
MIN. BREAKING FORCE 43 200 KGF

TYRES :
FRONT : 1400 – 20 20 PLY INFLATED TO 120 PSI
REAR : 1400 – 20 20 PLY INFLATED TO 90 PSI

**LOAD CHART MXC1090-
 MODEL: MAC 25 FULL POWER BOOM**

LIST OF DUTIES :

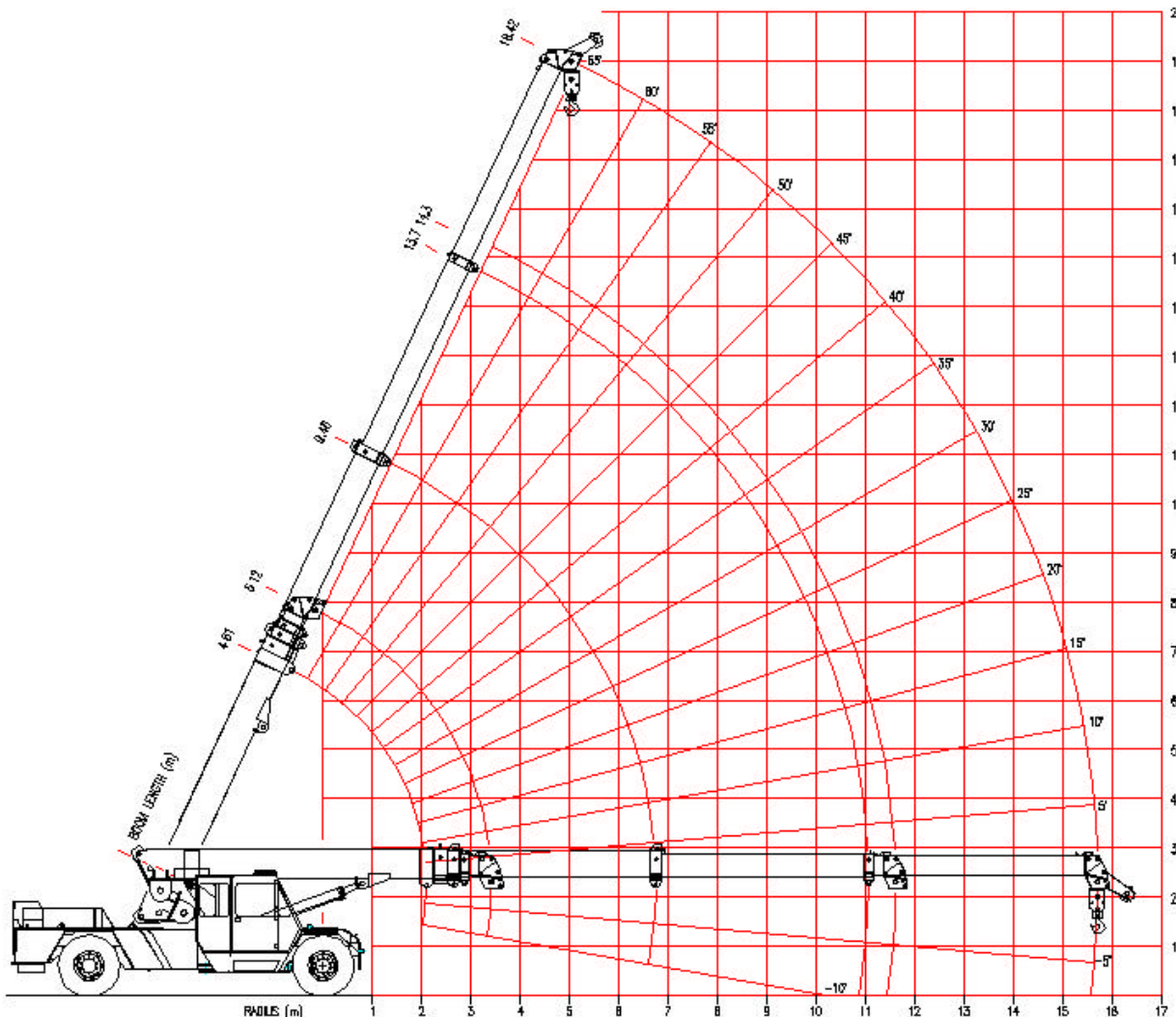
COUNTERWEIGHT ON FRONT

- 01 FALL BLOCK
- 02 RHINO HOOK
- 03 OFFSET HEAD – BOTTOM POSITION
- 04 OFFSET HEAD – TOP POSITION
- 05 FLYJIB – BOTTOM POSITION
- 06 FLYJIB – TOP POSITION
- 07 MAN BASKET
- 08 BUTT LUG
- 09 LUG 1 – BOOM 1
- 10 LUG 2 – BOOM 2

COUNTERWEIGHT ON REAR

- 11 FALL BLOCK
- 12 RHINO HOOK
- 13 OFFSET HEAD – BOTTOM POSITION
- 14 OFFSET HEAD – TOP POSITION
- 15 FLYJIB – BOTTOM POSITION
- 16 FLYJIB – TOP POSITION
- 17 MAN BASKET
- 18 BUTT LUG
- 19 LUG 1 – BOOM 1
- 20 LUG 2 – BOOM 2

EQUIPMENT	WEIGHT (KG)
FALL BLOCK	180
25 t HOOK	20
6.3 t HOOK	10
PEAR BLOCK	30
RHINO HOOK	25



MAC-25 FALL BLOCK LOAD CHART - 10 DEG. ART.

ROBWAY DUTY **01**

COUNTERWEIGHT ON FRONT OF CRANE - SPRING LOCKOUTS ENGAGED

S.W.L. ARE BASED ON 66.7% STABILITY & STRENGTH

Yellow S.W.L IN KILOGRAMS FOR SLEW ANGLES OF 10 DEGREES OR LESS EITHER

- S.W.L. ABOVE BOLD RED LINE ARE STRUCTURAL

White SIDE OF STRAIGHT AHEAD (INDICATED BY GREEN LED ON DASH).

S.W.L. ARE BASED ON FIRM LEVEL GROUND WITH TYRES INFLATED AS PER NOTES

White BOOM ANGLE - UNDEFLECTED (REF.)

LIFT & CARRY - THE S.W.L. SHALL BE CARRIED WITH THE MINIMUM BOOM LENGTH & AS

NOTE : VALUES IN BRACKETS () ARE ACTUAL RADIUS AT ZERO DEG. BOOM ANGLE.

CLOSE TO THE GROUND AS POSSIBLE AT SPEEDS NOT IN EXCESS OF 0.4 M/SEC

Radius in Metres	BOOM PIVOT TO HEAD SHEAVES - THIRD BOOM RETRACTED (metres)														THIRD BOOM EXTENDING (metres)											
	6.12	6.50	7.00	7.50	8.00	8.50	9.00	9.50	10.00	10.50	11.00	11.50	12.00	12.50	13.00	13.50	14.32	14.50	15.00	15.50	16.00	16.50	17.00	17.50	18.00	18.42
1.4	23900	23850	23750	23800	23800	23750	23750	23750																		
	48	51	54	57	59	61	63	65																		
2.0	19950	19900	19850	19800	19750	19750	19700	19650	19650	19600	19300															
	40	44	48	51	54	57	59	61	62	64	65															
2.5	15700	15650	15600	15600	15550	15500	15500	15450	15450	15400	15400	15350	14600													
	32	37	42	46	50	52	55	57	59	61	62	63	65													
3.0	12800	12800	12800	12750	12700	12700	12650	12650	12600	12600	12600	12550	12550	12550	12500	12250										
	21	29	35	41	45	48	51	53	55	57	59	61	62	63	64	65										
3.5	11050	10750	10750	10750	10700	10700	10650	10650	10600	10600	10550	10550	10550	10550	10500	10500	10500									
	(3.4)	17	28	34	39	43	47	49	52	54	56	58	59	61	62	63	65	65								
4.0		9750	9200	9200	9200	9150	9150	9150	9100	9100	9100	9050	9050	9050	9050	9000	9000	9000	9050	9100						
		(3.8)	17	27	33	38	42	45	48	51	53	55	56	58	59	61	62	63	64	65						
5.0			8450	7400	7050	7050	7050	7000	7000	7000	6950	6950	6950	6950	6950	6900	6900	6900	6950	7000	7050	7100	7100	7150	7200	
			(4.3)	(4.8)	16	25	31	36	40	43	46	48	50	52	54	56	58	58	59	61	62	63	63	64	65	
6.0					6550	5850	5600	5600	5600	5600	5550	5550	5550	5550	5550	5500	5500	5500	5550	5600	5650	5700	5700	5750	5750	5800
					(5.3)	(5.8)	15	24	30	34	38	41	44	46	48	50	53	53	55	56	57	58	60	61	61	62
7.0							5250	4750	4550	4550	4550	4550	4550	4550	4500	4500	4500	4500	4600	4650	4650	4700	4750	4750	4800	4800
							(6.3)	(6.8)	14	23	28	33	36	39	42	44	48	48	50	52	53	54	56	57	58	59
8.0									4300	3900	3800	3800	3800	3800	3750	3750	3750	3750	3800	3850	3900	3900	3950	4000	4000	4050
									(7.3)	(7.8)	14	22	27	31	35	38	42	43	45	47	48	50	51	53	54	55
9.0										3600	3300	3200	3200	3200	3200	3150	3200	3250	3250	3300	3350	3350	3400	3400	3450	3450
										(8.3)	(8.8)	13	21	26	30	35	36	39	41	43	45	47	48	50	51	
10												3000	2800	2700	2700	2700	2700	2750	2800	2850	2850	2900	2900	2950	2950	
												(9.3)	(9.8)	12	20	28	29	32	35	38	40	42	44	45	47	
11															2550	2350	2300	2350	2350	2400	2450	2450	2500	2550	2550	2600
															(10.3)	(10.8)	17	19	24	28	31	34	37	39	41	42
12																	2100	2050	2050	2100	2100	2150	2200	2200	2250	2250
																	(11.6)	(11.8)	12	19	23	27	30	33	36	37
13																			1950	1850	1850	1850	1900	1950	1950	2000
																			(12.3)	(12.8)	11	18	23	27	30	32
14																					1750	1650	1650	1700	1700	1750
																					(13.3)	(13.8)	11	18	22	25
15																							1600	1500	1500	1550
																							(14.3)	(14.8)	11	16
15.71																									1450	1400
																									(15.3)	(15.7)

MAC-25 FALL BLOCK LOAD CHART - 40 DEG. ART.

COUNTERWEIGHT ON FRONT OF CRANE - SPRING LOCKOUTS ENGAGED

S.W.L. IN KILOGRAMS FOR SLEW ANGLES OF GREATER THAN 10 DEGREES UP TO 40 DEGREES EITHER SIDE OF STRAIGHT AHEAD (INDICATED BY RED LED ON DASH).

BOOM ANGLE - UNDEFLECTED (REF.)

NOTE : VALUES IN BRACKETS () ARE ACTUAL RADIUS AT ZERO DEG. BOOM ANGLE.

ROBWAY DUTY 01

S.W.L. ARE BASED ON 66.7% STABILITY & STRENGTH

- S.W.L. ABOVE BOLD RED LINE ARE STRUCTURAL

S.W.L. ARE BASED ON FIRM LEVEL GROUND WITH TYRES INFLATED AS PER NOTES

LIFT & CARRY - THE S.W.L. SHALL BE CARRIED WITH THE MINIMUM BOOM LENGTH & AS

CLOSE TO THE GROUND AS POSSIBLE AT SPEEDS NOT IN EXCESS OF 0.4 M/SEC

Radius in Metres	BOOM PIVOT TO HEAD SHEAVES - THIRD BOOM RETRACTED (metres)														THIRD BOOM EXTENDING (metres)												
	6.12	6.50	7.00	7.50	8.00	8.50	9.00	9.50	10.00	10.50	11.00	11.50	12.00	12.50	13.00	13.50	14.32	14.50	15.00	15.50	16.00	16.50	17.00	17.50	18.00	18.42	
1.4	23750	22450	20950	19200	17750	16600	15600	14750																			
	48	51	54	57	59	61	63	65																			
2.0	17850	17850	17800	16850	15950	15150	14500	13750	13000	12350	11750																
	40	44	48	51	54	57	59	61	62	64	65																
2.5	14000	14000	13950	13900	13900	13400	12800	12300	11800	11400	10950	10500	10050														
	32	37	42	46	50	52	55	57	59	61	62	63	65														
3.0	11450	11400	11400	11350	11350	11300	11300	10950	10550	10150	9800	9500	9200	8950	8600	8300											
	21	29	35	41	45	48	51	53	55	57	59	61	62	63	64	65											
3.5	9800	9550	9550	9550	9500	9500	9450	9450	9450	9150	8850	8550	8300	8050	7850	7650	7300	7250									
	(3.4)	17	28	34	39	43	47	49	52	54	56	58	59	61	62	63	65	65									
4.0		8650	8150	8150	8150	8150	8100	8100	8050	8050	8000	7750	7550	7350	7150	6950	6650	6650	6500	6400							
		(3.8)	17	27	33	38	42	45	48	51	53	55	56	58	59	61	62	63	64	65							
5.0			7450	6500	6200	6200	6200	6200	6150	6150	6150	6150	6100	6000	5800	5600	5550	5500	5400	5350	5300	5200	5150	5100			
			(4.3)	(4.8)	16	25	31	36	40	43	46	48	50	52	54	56	58	58	59	61	62	63	63	64	65		
6.0					5750	5100	4900	4900	4900	4900	4850	4850	4850	4850	4850	4850	4750	4750	4700	4650	4600	4550	4500	4450	4400	4350	
					(5.3)	(5.8)	15	24	30	34	38	41	44	46	48	50	53	53	55	56	57	58	60	61	61	62	
7.0							4600	4100	3950	3950	3950	3950	3950	3950	3950	3950	3900	3950	3950	4000	4000	3950	3900	3850	3850	3800	
							(6.3)	(6.8)	14	23	28	33	36	39	42	44	48	48	50	52	53	54	56	57	58	59	
8.0									3700	3400	3250	3250	3250	3250	3250	3250	3250	3250	3300	3350	3350	3400	3450	3400	3350	3350	
									(7.3)	(7.8)	14	22	27	31	35	38	42	43	45	47	48	50	51	53	54	55	
9.0											3100	2800	2700	2700	2700	2700	2700	2700	2750	2800	2850	2850	2900	2950	2950	2950	
											(8.3)	(8.8)	13	21	26	30	35	36	39	41	43	45	47	48	50	51	
10													2550	2350	2300	2300	2300	2300	2350	2400	2400	2450	2450	2500	2550	2550	
													(9.3)	(9.8)	12	20	28	29	32	35	38	40	42	44	45	47	
11																2150	2000	1950	1950	2000	2050	2050	2100	2100	2150	2200	2200
																(10.3)	(10.8)	17	19	24	28	31	34	37	39	41	42
12																	1750	1700	1700	1750	1750	1800	1850	1850	1900	1900	
																	(11.6)	(11.8)	12	19	23	27	30	33	36	37	
13																			1600	1500	1500	1550	1600	1600	1650	1650	
																			(12.3)	(12.8)	11	18	23	27	30	32	
14																					1450	1350	1350	1400	1400	1450	
																					(13.3)	(13.8)	11	18	22	25	
15																							1300	1250	1250	1250	
																							(14.3)	(14.8)	11	16	
15.71																									1150	1100	
																									(15.3)	(15.7)	

MAC-25 RHINO HOOK LOAD CHART - 10 DEG

ROBWAY DUTY **02**

COUNTERWEIGHT ON FRONT OF CRANE - SPRING LOCKOUTS ENGAGED

S.W.L. ARE BASED ON 66.7% STABILITY & STRENGTH

15000 S.W.L IN KILOGRAMS FOR SLEW ANGLES OF 10 DEGREES OR LESS EITHER

- S.W.L. ABOVE BOLD RED LINE ARE STRUCTURAL

15000 SIDE OF STRAIGHT AHEAD (INDICATED BY GREEN LED ON DASH).

S.W.L. ARE BASED ON FIRM LEVEL GROUND WITH TYRES INFLATED AS PER NOTES

15000 BOOM ANGLE - UNDEFLECTED (REF.)

LIFT & CARRY - THE S.W.L. SHALL BE CARRIED WITH THE MINIMUM BOOM LENGTH & AS

NOTE : VALUES IN BRACKETS () ARE ACTUAL RADIUS AT ZERO DEG. BOOM ANGLE.

CLOSE TO THE GROUND AS POSSIBLE AT SPEEDS NOT IN EXCESS OF 0.4 M/SEC

Radius in Metres	BOOM PIVOT TO HOOK CENTRE - THIRD BOOM RETRACTED (metres)																	THIRD BOOM EXTENDING (metres)												
	6.45	7.00	7.50	8.00	8.50	9.00	9.50	10.00	10.50	11.00	11.50	12.00	12.50	13.00	13.50	14.00	14.65	15.00	15.50	16.00	16.50	17.00	17.50	18.00	18.50	18.75				
1.4	15000	15000	15000	15000	15000	15000	15000																							
	52	55	58	60	62	64	65																							
2.0	15000	15000	15000	15000	15000	15000	15000	15000	15000	15000																				
	44	49	52	55	57	59	61	63	64	65																				
2.5	15000	15000	15000	15000	15000	15000	15000	15000	15000	15000	14200																			
	37	43	47	50	53	56	58	59	61	63	64	65																		
3.0	13000	12950	12900	12900	12850	12800	12800	12750	12750	12700	12700	12650	12300																	
	29	36	41	45	49	52	54	56	58	60	61	62	64	65																
3.5	10900	10900	10900	10850	10800	10800	10750	10750	10700	10700	10650	10650	10650	10600	10600															
	17	29	35	40	44	47	50	52	55	56	58	60	61	62	63	64														
4.0	10050	9350	9350	9300	9300	9250	9250	9250	9200	9200	9150	9150	9150	9100	9100	9100	9100	9100	9150											
	(3.7)	18	28	34	39	43	46	49	51	53	55	57	58	60	61	62	63	64	65											
5.0		8550	7500	7150	7150	7150	7100	7100	7100	7050	7050	7050	7000	7000	7000	7000	7000	7000	7050	7100	7100	7150	7200	7200						
		(4.3)	(4.8)	17	26	32	37	40	44	46	49	51	53	54	56	57	59	60	61	62	63	64	65	65						
6.0				6650	5900	5700	5700	5650	5650	5650	5650	5600	5600	5600	5600	5600	5550	5600	5650	5650	5700	5750	5750	5800	5850	5850				
				(5.3)	(5.8)	16	24	30	35	38	42	44	47	49	51	52	54	55	57	58	59	60	61	62	63	63				
7.0						5300	4800	4650	4650	4600	4600	4600	4600	4600	4600	4550	4550	4600	4650	4650	4700	4750	4750	4800	4800	4800				
						(6.3)	(6.8)	15	23	29	33	37	40	42	45	47	49	50	52	53	55	56	57	58	59	60				
8.0									4350	3950	3850	3850	3850	3850	3850	3800	3800	3800	3850	3850	3900	3950	3950	4000	4000	4050	4050			
									(7.3)	(7.8)	14	22	28	32	35	38	41	44	45	47	49	50	52	53	54	55	56			
9.0											3650	3350	3250	3250	3250	3250	3200	3200	3250	3300	3300	3350	3350	3400	3450	3450	3450			
											(8.3)	(8.8)	13	21	27	31	34	38	39	42	44	46	47	49	50	51	52			
10													3050	2800	2750	2750	2750	2750	2800	2850	2850	2900	2950	2950	3000	3000				
													(9.3)	(9.8)	13	20	26	31	33	36	38	40	42	44	46	47	48			
11																		2600	2400	2350	2350	2400	2400	2450	2500	2500	2600	2600		
																		(10.3)	(10.8)	12	21	25	29	32	35	37	39	41	43	44
12																				2250	2000	2050	2100	2100	2150	2200	2200	2250	2250	2250
																				(11.3)	(11.9)	12	19	24	28	31	34	36	38	39
13																					1950	1850	1850	1850	1900	1950	1950	2000	2000	
																					(12.3)	(12.8)	12	18	23	27	30	33	34	
14																						1750	1650	1650	1700	1700	1750	1750		
																						(13.3)	(13.8)	11	18	23	26	28		
15																									1600	1500	1500	1550	1550	
																									(14.3)	(14.8)	11	17	20	
16																											1450	1400	1350	
																										(15.3)	(15.8)	(16.)		

NOTE : WEIGHT OF HOOKS, BLOCKS & OTHER
LOAD HANDLING DEVICES SHALL BE ADDED
TO THE WEIGHT OF THE LOAD

MAC-25 RHINO HOOK LOAD CHART - 40 DEG

ROBWAY DUTY **02**

COUNTERWEIGHT ON FRONT OF CRANE - SPRING LOCKOUTS ENGAGED

S.W.L. ARE BASED ON 66.7% STABILITY & STRENGTH

Yellow S.W.L IN KILOGRAMS FOR SLEW ANGLES OF GREATER THAN 10 DEGREES UP TO 40 DEGREES EITHER SIDE OF STRAIGHT AHEAD (INDICATED BY RED LED ON DASH).
White BOOM ANGLE - UNDEFLECTED (REF.)

- S.W.L. ABOVE BOLD RED LINE ARE STRUCTURAL
 S.W.L. ARE BASED ON FIRM LEVEL GROUND WITH TYRES INFLATED AS PER NOTES
 LIFT & CARRY - THE S.W.L. SHALL BE CARRIED WITH THE MINIMUM BOOM LENGTH & AS CLOSE TO THE GROUND AS POSSIBLE AT SPEEDS NOT IN EXCESS OF 0.4 M/SEC

NOTE : VALUES IN BRACKETS () ARE ACTUAL RADIUS AT ZERO DEG. BOOM ANGLE.

Radius in Metres	BOOM PIVOT TO HOOK CENTRE - THIRD BOOM RETRACTED (metres)																THIRD BOOM EXTENDING (metres)											
	6.45	7.00	7.50	8.00	8.50	9.00	9.50	10.00	10.50	11.00	11.50	12.00	12.50	13.00	13.50	14.00	14.65	15.00	15.50	16.00	16.50	17.00	17.50	18.00	18.50	18.75		
1.4	15000	15000	15000	15000	15000	15000	14850																					
	52	55	58	60	62	64	65																					
2.0	15000	15000	15000	15000	15000	14650	13850	13100	12400	11850																		
	44	49	52	55	57	59	61	63	64	65																		
2.5	14200	14150	14100	14050	13550	12950	12400	11950	11500	11050	10550	10100																
	37	43	47	50	53	56	58	59	61	63	64	65																
3.0	11600	11550	11550	11500	11450	11450	11100	10650	10250	9900	9600	9300	9050	8700														
	29	36	41	45	49	52	54	56	58	60	61	62	64	65														
3.5	9750	9700	9700	9650	9650	9600	9600	9550	9250	8950	8650	8400	8150	7950	7700	7500												
	17	29	35	40	44	47	50	52	55	56	58	60	61	62	63	64												
4.0	8950	8300	8300	8300	8250	8250	8200	8200	8150	8100	7850	7650	7400	7200	7000	6850	6650	6550	6450									
	(3.7)	18	28	34	39	43	46	49	51	53	55	57	58	60	61	62	63	64	65									
5.0		7600	6650	6300	6300	6300	6300	6250	6250	6250	6200	6200	6200	6050	5900	5750	5550	5500	5450	5350	5300	5250	5150	5100				
		(4.3)	(4.8)	17	26	32	37	40	44	46	49	51	53	54	56	57	59	60	61	62	63	64	65	65				
6.0				5850	5200	5000	5000	5000	4950	4950	4950	4950	4900	4900	4900	4900	4750	4700	4650	4600	4550	4500	4450	4400	4350	4350		
				(5.3)	(5.8)	16	24	30	35	38	42	44	47	49	51	52	54	55	57	58	59	60	61	62	63	63		
7.0						4650	4200	4050	4050	4050	4000	4000	4000	4000	4000	3950	3950	4000	4050	4000	3950	3900	3900	3850	3800	3800		
						(6.3)	(6.8)	15	23	29	33	37	40	42	45	47	49	50	52	53	55	56	57	58	59	60		
8.0									3800	3450	3350	3350	3300	3300	3300	3300	3300	3300	3350	3400	3400	3450	3400	3400	3350	3350		
									(7.3)	(7.8)	14	22	28	32	35	38	41	44	45	47	49	50	52	53	54	55	56	
9.0											3150	2850	2750	2750	2750	2750	2750	2750	2800	2800	2850	2900	2900	2950	2950	3000	2950	
											(8.3)	(8.8)	13	21	27	31	34	38	39	42	44	46	47	49	50	51	52	
10													2600	2400	2350	2350	2350	2300	2350	2400	2400	2450	2500	2500	2550	2550	2550	
													(9.3)	(9.8)	13	20	26	31	33	36	38	40	42	44	46	47	48	
11																2200	2000	1950	1950	2000	2050	2050	2100	2150	2150	2200	2200	2200
																(10.3)	(10.8)	12	21	25	29	32	35	37	39	41	43	44
12																	1850	1650	1700	1750	1750	1800	1850	1850	1900	1900	1950	
																	(11.3)	(11.9)	12	19	24	28	31	34	36	38	39	
13																			1600	1500	1500	1550	1600	1600	1650	1650	1700	
																			(12.3)	(12.8)	12	18	23	27	30	33	34	
14																					1450	1350	1350	1400	1400	1450	1450	
																					(13.3)	(13.8)	11	18	23	26	28	
15																							1300	1250	1250	1250	1250	
																							(14.3)	(14.8)	11	17	20	
16																									1150	1100	1100	
																								(15.3)	(15.8)	(16.)		

NOTE : WEIGHT OF HOOKS, BLOCKS & OTHER LOAD HANDLING DEVICES SHALL BE ADDED TO THE WEIGHT OF THE LOAD

MAC-25 OFFSET HEAD BOTTOM POSITION LOAD CHART - 10 DEG

ROBWAY DUTY **03**

COUNTERWEIGHT ON FRONT OF CRANE - SPRING LOCKOUTS ENGAGED

S.W.L. ARE BASED ON 66.7% STABILITY & STRENGTH

Yellow S.W.L IN KILOGRAMS FOR SLEW ANGLES OF 10 DEGREES OR LESS EITHER

- S.W.L. ABOVE BOLD RED LINE ARE STRUCTURAL

White SIDE OF STRAIGHT AHEAD (INDICATED BY GREEN LED ON DASH).

S.W.L. ARE BASED ON FIRM LEVEL GROUND WITH TYRES INFLATED AS PER NOTES

White BOOM ANGLE - UNDEFLECTED (REF.)

LIFT & CARRY - THE S.W.L. SHALL BE CARRIED WITH THE MINIMUM BOOM LENGTH & AS

NOTE : VALUES IN BRACKETS () ARE ACTUAL RADIUS AT ZERO DEG. BOOM ANGLE.

CLOSE TO THE GROUND AS POSSIBLE AT SPEEDS NOT IN EXCESS OF 0.4 M/SEC

Radius in Metres	BOOM PIVOT TO EDGE OF SHEAVE - THIRD BOOM RETRACTED (metres)																	THIRD BOOM EXTENDING (metres)										
	6.86	7.00	7.50	8.00	8.50	9.00	9.50	10.00	10.50	11.00	11.50	12.00	12.50	13.00	13.50	14.00	14.50	15.06	15.50	16.00	16.50	17.00	17.50	18.00	18.50	19.16		
1.4	8400	8400	8400	8400	8400	8400																						
	55	56	59	61	63	65																						
2.0	8400	8400	8400	8400	8400	8400	8400	8400	8400													WINCH S.W.L.						
	49	50	53	56	58	60	62	64	65													SINGLE PART		4200				
																						TWO PARTS		8400				
2.5	8400	8400	8400	8400	8400	8400	8400	8400	8400	8400	8400																	
	43	44	48	51	54	56	58	60	62	63	65																	
3.0	8400	8400	8400	8400	8400	8400	8400	8400	8400	8400	8400	8400	8400	8400														
	36	38	43	46	50	52	55	57	59	60	62	63	64	65														
3.5	8400	8400	8400	8400	8400	8400	8400	8400	8400	8400	8400	8400	8400	8400	8400													
	27	30	36	41	45	48	51	53	55	57	59	60	62	63	64	65												
4.0	8400	8400	8400	8400	8400	8400	8400	8400	8400	8400	8400	8400	8400	8400	8400	8400	8400	8400										
	(4.2)	19	29	35	40	44	47	50	52	54	56	58	59	60	62	63	64	65										
5.0		8400	7650	7300	7300	7250	7250	7200	7200	7200	7150	7150	7150	7100	7100	7100	7100	7050	7100	7150	7200	7200	7250					
		(4.3)	(4.8)	18	27	33	38	41	44	47	49	52	53	55	57	58	59	61	61	62	63	64	65					
6.0				6750	6050	5800	5800	5800	5750	5750	5750	5700	5700	5700	5700	5650	5650	5650	5700	5700	5750	5800	5800	5850	5850	5850		
				(5.3)	(5.8)	16	25	31	36	39	42	45	47	49	51	53	54	56	57	58	59	60	61	62	63	64		
7.0						5400	4900	4750	4750	4700	4700	4700	4700	4700	4650	4650	4650	4650	4700	4750	4750	4800	4800	4850	4850	4900		
						(6.3)	(6.8)	16	24	30	34	37	40	43	45	47	49	51	52	54	55	56	57	59	59	61		
8.0									4450	4050	3950	3950	3950	3900	3900	3900	3900	3900	3850	3900	3950	3950	4000	4050	4050	4100	4100	
									(7.3)	(7.8)	15	23	28	33	36	39	41	44	46	48	49	51	52	53	55	56	57	
9.0											3700	3400	3300	3300	3300	3300	3300	3300	3300	3300	3350	3400	3400	3450	3450	3500	3500	
											(8.3)	(8.8)	14	22	27	31	35	37	40	42	44	46	48	49	51	52	53	
10													3150	2900	2800	2800	2800	2800	2850	2850	2900	2950	2950	3000	3000	3050		
													(9.3)	(9.8)	14	21	26	30	34	36	39	41	43	45	46	48	50	
11																2650	2450	2400	2400	2400	2450	2450	2500	2550	2550	2600	2600	2650
																(10.3)	(10.8)	13	20	26	29	32	35	37	40	42	43	45
12																		2300	2100	2050	2100	2150	2200	2200	2250	2250	2300	2300
																		(11.3)	(11.8)	14	20	24	28	31	34	36	39	41
13																			1950	1850	1850	1900	1900	1950	2000	2000	2050	
																		(12.4)	(12.8)			12	19	24	27	30	33	36
14																					1750	1700	1700	1700	1750	1750	1800	
																					(13.3)	(13.8)	12	18	23	27	30	
15																							1600	1500	1500	1550	1600	
																							(14.3)	(14.8)	12	18	24	
16.4																									1450	1400	1300	
																									(15.3)	(15.8)	(16.4)	

MAC-25 OFFSET HEAD BOTTOM POSITION LOAD CHART - 40 DEG

ROBWAY DUTY **03**

COUNTERWEIGHT ON FRONT OF CRANE - SPRING LOCKOUTS ENGAGED

S.W.L. ARE BASED ON 66.7% STABILITY & STRENGTH



S.W.L IN KILOGRAMS FOR SLEW ANGLES OF GREATER THAN 10 DEGREES UP TO 40

- S.W.L. ABOVE BOLD RED LINE ARE STRUCTURAL

DEGREES EITHER SIDE OF STRAIGHT AHEAD (INDICATED BY RED LED ON DASH).

S.W.L. ARE BASED ON FIRM LEVEL GROUND WITH TYRES INFLATED AS PER NOTES



BOOM ANGLE - UNDEFLECTED (REF.)

LIFT & CARRY - THE S.W.L. SHALL BE CARRIED WITH THE MINIMUM BOOM LENGTH & AS

NOTE : VALUES IN BRACKETS () ARE ACTUAL RADIUS AT ZERO DEG. BOOM ANGLE.

CLOSE TO THE GROUND AS POSSIBLE AT SPEEDS NOT IN EXCESS OF 0.4 M/SEC

Radius in Metres	BOOM PIVOT TO EDGE OF SHEAVE - THIRD BOOM RETRACTED (metres)															THIRD BOOM EXTENDING (metres)										
	6.86	7.00	7.50	8.00	8.50	9.00	9.50	10.00	10.50	11.00	11.50	12.00	12.50	13.00	13.50	14.00	14.50	15.06	15.50	16.00	16.50	17.00	17.50	18.00	18.50	19.16
1.4	8400	8400	8400	8400	8400	8400																				
	55	56	59	61	63	65																				
2.0	8400	8400	8400	8400	8400	8400	8400	8400	8400																	
	49	50	53	56	58	60	62	64	65																	
2.5	8400	8400	8400	8400	8400	8400	8400	8400	8400	8400	8400															
	43	44	48	51	54	56	58	60	62	63	65															
3.0	8400	8400	8400	8400	8400	8400	8400	8400	8400	8400	8400	8400	8400													
	36	38	43	46	50	52	55	57	59	60	62	63	64	65												
3.5	8400	8400	8400	8400	8400	8400	8400	8400	8400	8400	8400	8400	8250	8050	7850	7600										
	27	30	36	41	45	48	51	53	55	57	59	60	62	63	64	65										
4.0	8050	8400	8400	8400	8400	8400	8350	8350	8300	8250	8000	7750	7500	7300	7100	6950	6750	6600								
	(4.2)	19	29	35	40	44	47	50	52	54	56	58	59	60	62	63	64	65								
5.0		7750	6750	6450	6450	6450	6400	6400	6350	6350	6350	6300	6150	6000	5850	5700	5550		5500	5400	5350	5250	5200			
		(4.3)	(4.8)	18	27	33	38	41	44	47	49	52	53	55	57	58	59	61	61	62	63	64	65			
6.0				5950	5300	5100	5100	5100	5050	5050	5050	5050	5000	5000	5000	5000	4850	4750	4700	4650	4600	4550	4500	4450	4400	4300
				(5.3)	(5.8)	16	25	31	36	39	42	45	47	49	51	53	54	56	57	58	59	60	61	62	63	64
7.0					4750	4300	4150	4150	4150	4100	4100	4100	4100	4100	4050	4050	4050	4050	4050	4050	4000	3950	3900	3850	3850	3800
					(6.3)	(6.8)	16	24	30	34	37	40	43	45	47	49	51	52	54	55	56	57	59	59	61	
8.0							3900	3500	3400	3400	3400	3400	3400	3400	3400	3350	3350	3350	3400	3400	3450	3450	3450	3400	3400	3350
							(7.3)	(7.8)	15	23	28	33	36	39	41	44	46	48	49	51	52	53	55	56	57	
9.0									3200	2950	2850	2850	2850	2850	2850	2850	2800	2800	2850	2900	2900	2950	2950	3000	3000	2950
									(8.3)	(8.8)	14	22	27	31	35	37	40	42	44	46	48	49	51	52	53	
10										2700	2450	2400	2400	2400	2400	2400	2400	2400	2450	2500	2500	2550	2550	2600	2600	
										(9.3)	(9.8)	14	21	26	30	34	36	39	41	43	45	46	48	50		
11														2250	2100	2050	2050	2050	2050	2100	2150	2150	2200	2200	2250	2250
														(10.3)	(10.8)	13	20	26	29	32	35	37	40	42	43	45
12																1900	1750	1700	1750	1800	1850	1850	1900	1900	1950	1950
																(11.3)	(11.8)	14	20	24	28	31	34	36	39	41
13																	1600	1550	1550	1550	1600	1600	1650	1650	1700	1700
																(12.4)	(12.8)	12	19	24	27	30	33	36		
14																			1450	1350	1400	1400	1450	1450	1500	
																			(13.3)	(13.8)	12	18	23	27	30	
15																					1300	1250	1250	1250	1300	
																					(14.3)	(14.8)	12	18	24	
16.4																								1200	1100	1050
																							(15.3)	(15.8)	(16.4)	

MAC-25 OFFSET HEAD TOP POSITION LOAD CHART - 10 DEG

ROBWAY DUTY **04**

COUNTERWEIGHT ON FRONT OF CRANE - SPRING LOCKOUTS ENGAGED

S.W.L. ARE BASED ON 66.7% STABILITY & STRENGTH

Yellow S.W.L IN KILOGRAMS FOR SLEW ANGLES OF 10 DEGREES OR LESS EITHER

- S.W.L. ABOVE BOLD RED LINE ARE STRUCTURAL

White SIDE OF STRAIGHT AHEAD (INDICATED BY GREEN LED ON DASH).

S.W.L. ARE BASED ON FIRM LEVEL GROUND WITH TYRES INFLATED AS PER NOTES

White BOOM ANGLE - UNDEFLECTED (REF.)

LIFT & CARRY - THE S.W.L. SHALL BE CARRIED WITH THE MINIMUM BOOM LENGTH & AS

NOTE : VALUES IN BRACKETS () ARE ACTUAL RADIUS AT ZERO DEG. BOOM ANGLE.

CLOSE TO THE GROUND AS POSSIBLE AT SPEEDS NOT IN EXCESS OF 0.4 M/SEC

Radius in Metres	BOOM PIVOT TO EDGE OF SHEAVE - THIRD BOOM RETRACTED (metres)																		THIRD BOOM EXTENDING (metres)								
	6.82	7.00	7.50	8.00	8.50	9.00	9.50	10.00	10.50	11.00	11.50	12.00	12.50	13.00	13.50	14.00	14.50	15.02	15.50	16.00	16.50	17.00	17.50	18.00	18.50	19.12	
1.4	8400	8400	8400	8400	8400	8400	8400																				
	52	53	56	58	60	62	64																				
2.0	8400	8400	8400	8400	8400	8400	8400	8400	8400	8400																	
	45	47	50	53	56	58	60	61	63	64																	
2.5	8400	8400	8400	8400	8400	8400	8400	8400	8400	8400	8400	8400															
	39	41	45	49	52	54	56	58	60	61	63	64															
3.0	8400	8400	8400	8400	8400	8400	8400	8400	8400	8400	8400	8400	8400	8400	8400												
	32	34	40	44	47	50	53	55	57	58	60	61	63	64	65												
3.5	8400	8400	8400	8400	8400	8400	8400	8400	8400	8400	8400	8400	8400	8400	8400	8400	8400										
	24	27	33	38	42	46	49	51	53	55	57	59	60	61	62	63	64										
4.0	8400	8400	8400	8400	8400	8400	8400	8400	8400	8400	8400	8400	8400	8400	8400	8400	8400	8400	8400								
	(4.1)	16	26	32	37	41	45	47	50	52	54	56	57	59	60	61	62	63	64								
5.0		8400	7600	7250	7200	7200	7150	7150	7150	7100	7100	7050	7050	7050	7000	7000	7000	6950	7000	7050	7100	7100	7150	7200			
		(4.3)	(4.8)	15	24	30	35	39	42	45	48	50	52	53	55	56	58	59	60	61	62	63	64	65			
6.0				6750	6000	5750	5750	5750	5700	5700	5650	5650	5650	5650	5600	5600	5600	5550	5600	5650	5700	5700	5750	5750	5800	5850	
				(5.3)	(5.8)	14	23	29	34	37	40	43	46	48	50	51	53	54	56	57	58	59	60	61	62	63	
7.0						5400	4900	4700	4700	4700	4650	4650	4650	4600	4600	4600	4550	4600	4650	4700	4700	4750	4750	4800	4800		
						(6.3)	(6.8)	14	22	28	32	36	39	41	44	46	48	50	51	53	54	55	56	57	58	59	
8.0								4450	4050	3900	3900	3900	3900	3850	3850	3850	3850	3800	3850	3900	3900	3950	4000	4000	4050	4050	
								(7.3)	(7.8)	13	21	27	31	34	37	40	42	44	46	48	49	51	52	53	55	56	
9.0										3700	3400	3300	3300	3250	3250	3250	3250	3250	3250	3300	3350	3350	3400	3400	3450	3450	
										(8.3)	(8.8)	12	20	25	30	33	36	39	41	43	45	46	48	49	51	52	
10												3100	2900	2800	2800	2800	2750	2750	2800	2850	2850	2900	2900	2950	3000	3000	
												(9.3)	(9.8)	12	19	25	29	32	35	37	40	42	43	45	47	48	
11														2650	2450	2400	2400	2400	2400	2450	2500	2500	2550	2550	2600	2600	
														(10.3)	(10.8)	12	19	24	28	31	34	36	38	40	42	44	
12																2300	2100	2050	2100	2100	2150	2200	2200	2250	2250	2300	
																(11.3)	(11.8)	12	18	23	27	30	33	35	37	40	
13																		1950	1850	1850	1900	1900	1950	1950	2000	2000	
																		(12.3)	(12.8)	11	18	22	26	29	32	35	
14																				1750	1650	1650	1700	1700	1750	1800	
																				(13.3)	(13.8)	11	17	22	25	29	
15																						1600	1500	1500	1550	1550	
																						(14.3)	(14.8)	10	17	22	
16.45																								1450	1400	1300	
																								(15.3)	(15.8)	(16.5)	

MAC-25 OFFSET HEAD TOP POSITION LOAD CHART - 40 DEG

ROBWAY DUTY **04**

COUNTERWEIGHT ON FRONT OF CRANE - SPRING LOCKOUTS ENGAGED

S.W.L. ARE BASED ON 66.7% STABILITY & STRENGTH

S.W.L IN KILOGRAMS FOR SLEW ANGLES OF GREATER THAN 10 DEGREES UP TO 40 DEGREES EITHER SIDE OF STRAIGHT AHEAD (INDICATED BY RED LED ON DASH).

- S.W.L. ABOVE BOLD RED LINE ARE STRUCTURAL

BOOM ANGLE - UNDEFLECTED (REF.)

S.W.L. ARE BASED ON FIRM LEVEL GROUND WITH TYRES INFLATED AS PER NOTES

LIFT & CARRY - THE S.W.L. SHALL BE CARRIED WITH THE MINIMUM BOOM LENGTH & AS

NOTE : VALUES IN BRACKETS () ARE ACTUAL RADIUS AT ZERO DEG. BOOM ANGLE.

CLOSE TO THE GROUND AS POSSIBLE AT SPEEDS NOT IN EXCESS OF 0.4 M/SEC

Radius in Metres	BOOM PIVOT TO EDGE OF SHEAVE - THIRD BOOM RETRACTED (metres)																	THIRD BOOM EXTENDING (metres)										
	6.82	7.00	7.50	8.00	8.50	9.00	9.50	10.00	10.50	11.00	11.50	12.00	12.50	13.00	13.50	14.00	14.50	15.02	15.50	16.00	16.50	17.00	17.50	18.00	18.50	19.12		
1.4	8400	8400	8400	8400	8400	8400	8400																					
	52	53	56	58	60	62	64																					
2.0	8400	8400	8400	8400	8400	8400	8400	8400	8400	8400																		
	45	47	50	53	56	58	60	61	63	64																		
2.5	8400	8400	8400	8400	8400	8400	8400	8400	8400	8400	8400																	
	39	41	45	49	52	54	56	58	60	61	63	64																
3.0	8400	8400	8400	8400	8400	8400	8400	8400	8400	8400	8400	8400	8400	8400														
	32	34	40	44	47	50	53	55	57	58	60	61	63	64	65													
3.5	8400	8400	8400	8400	8400	8400	8400	8400	8400	8400	8400	8400	8200	7950	7750	7500	7300											
	24	27	33	38	42	46	49	51	53	55	57	59	60	61	62	63	64											
4.0	8150	8400	8400	8350	8350	8300	8250	8250	8200	8150	7900	7650	7450	7250	7050	6850	6700	6550	6450									
	(4.1)	16	26	32	37	41	45	47	50	52	54	56	57	59	60	61	62	63	64									
5.0		7750	6750	6400	6400	6350	6350	6300	6300	6250	6250	6250	6200	6100	5900	5750	5650	5500	5400	5350	5300	5200	5150	5100				
		(4.3)	(4.8)	15	24	30	35	39	42	45	48	50	52	53	55	56	58	59	60	61	62	63	64	65				
6.0				5950	5300	5050	5050	5050	5000	5000	5000	4950	4950	4950	4900	4900	4800	4700	4650	4600	4550	4500	4450	4400	4350	4300		
				(5.3)	(5.8)	14	23	29	34	37	40	43	46	48	50	51	53	54	56	57	58	59	60	61	62	63		
7.0						4750	4250	4100	4100	4100	4050	4050	4050	4050	4000	4000	4000	4000	4000	4000	3950	3900	3850	3850	3800	3750		
						(6.3)	(6.8)	14	22	28	32	36	39	41	44	46	48	50	51	53	54	55	56	57	58	59		
8.0								3850	3500	3400	3400	3350	3350	3350	3350	3300	3300	3300	3350	3350	3400	3450	3400	3350	3350	3300		
								(7.3)	(7.8)	13	21	27	31	34	37	40	42	44	46	48	49	51	52	53	55	56		
9.0										3200	2900	2800	2800	2800	2800	2800	2800	2750	2800	2850	2850	2900	2950	2950	2950	2950		
										(8.3)	(8.8)	12	20	25	30	33	36	39	41	43	45	46	48	49	51	52		
10												2700	2450	2400	2350	2350	2350	2400	2400	2450	2500	2500	2550	2550	2600	2600		
												(9.3)	(9.8)	12	19	25	29	32	35	37	40	42	43	45	47	48		
11															2250	2050	2000	2000	2000	2050	2050	2100	2150	2150	2200	2250		
															(10.3)	(10.8)	12	19	24	28	31	34	36	38	40	42	44	
12																	1900	1750	1700	1750	1750	1800	1850	1850	1900	1900	1950	
																	(11.3)	(11.8)	12	18	23	27	30	33	35	37	40	
13																			1600	1550	1500	1550	1600	1600	1650	1650	1700	
																			(12.3)	(12.8)	11	18	22	26	29	32	35	
14																					1450	1350	1350	1400	1400	1450	1500	
																					(13.3)	(13.8)	11	17	22	25	29	
15																							1300	1250	1250	1250	1300	
																							(14.3)	(14.8)	10	17	22	
16.45																									1200	1100	1050	
																									(15.3)	(15.8)	(16.5)	

MAC-25 4m FLYJIB BOTTOM POSITION LOAD CHART - 10 DEG

ROBWAY DUTY **05**

COUNTERWEIGHT ON FRONT OF CRANE - SPRING LOCKOUTS ENGAGED

S.W.L. ARE BASED ON 66.7% STABILITY & STRENGTH



S.W.L IN KILOGRAMS FOR SLEW ANGLES OF 10 DEGREES OR LESS EITHER

- S.W.L. ABOVE BOLD RED LINE ARE STRUCTURAL



SIDE OF STRAIGHT AHEAD (INDICATED BY GREEN LED ON DASH).

S.W.L. ARE BASED ON FIRM LEVEL GROUND WITH TYRES INFLATED AS PER NOTES

BOOM ANGLE - UNDEFLECTED (REF.)

LIFT & CARRY - THE S.W.L. SHALL BE CARRIED WITH THE MINIMUM BOOM LENGTH & AS

NOTE : VALUES IN BRACKETS () ARE ACTUAL RADIUS AT ZERO DEG. BOOM ANGLE.

CLOSE TO THE GROUND AS POSSIBLE AT SPEEDS NOT IN EXCESS OF 0.4 M/SEC

Radius in Metres	BOOM PIVOT TO EDGE OF SHEAVE - THIRD BOOM RETRACTED (metres)																	THIRD BOOM EXTENDING (metres)									
	10.11	10.50	11.00	11.50	12.00	12.50	13.00	13.50	14.00	14.50	15.00	15.50	16.00	16.50	17.00	17.50	18.00	18.31	19.00	19.50	20.00	20.50	21.00	21.50	22.00	22.41	
2.6	700																										
	65																										
3.0	700	700	700																								
	62	64	65																				WINCH S.W.L.				
																							SINGLE PART		4200		
3.5	600	600	700	700	700																						
	59	60	62	63	65																						
4.0	600	600	600	600	700	700	700	700																			
	55	57	59	60	62	63	64	65																			
5.0	600	600	600	600	600	600	600	600	700	700	700	700															
	47	49	52	54	56	58	59	60	62	63	64	65															
6.0	500	600	600	600	600	600	600	600	600	600	600	600	700	700	700	700	700										
	38	41	44	47	49	52	53	55	57	58	59	60	61	62	63	64	65										
7.0	500	500	500	500	600	600	600	600	600	600	600	600	600	600	600	700	700	700	700	700	700	700					
	24	29	35	39	42	45	47	49	51	53	54	56	57	58	59	60	61	62	63	64	65	65					
8.0	500	500	500	500	500	500	500	600	600	600	600	600	600	600	600	600	600	600	600	600	700	700	700	700	700	700	
	(7.4)	(7.8)	20	28	33	37	40	43	45	47	49	51	52	54	55	56	58	58	60	60	61	62	63	64	64	65	
9.0			500	500	500	500	500	500	500	600	600	600	600	600	600	600	600	600	600	600	600	600	600	600	700	700	
			(8.3)	(8.8)	19	26	31	35	38	41	44	46	47	49	51	52	53	54	56	57	58	59	60	60	61	62	
10.0					500	500	500	500	500	500	500	500	600	600	600	600	600	600	600	600	600	600	600	600	600	600	
					(9.3)	(9.8)	18	25	30	34	37	40	42	44	46	48	49	50	52	53	54	55	56	57	58	59	
11.0							500	500	500	500	500	500	500	500	500	600	600	600	600	600	600	600	600	600	600	600	
							(10.3)	(10.8)	17	24	29	33	36	38	41	43	44	46	48	49	50	52	53	54	55	56	
12									500	500	500	500	500	500	500	500	500	600	600	600	600	600	600	600	600	600	
									(11.3)	(11.8)	17	23	28	31	34	37	39	41	43	45	46	48	49	50	51	52	
13											500	500	500	500	500	500	500	500	500	500	600	600	600	600	600	600	
											(12.3)	(12.8)	16	22	27	30	33	35	38	40	42	44	45	47	48	49	
14													500	500	500	500	500	500	500	500	500	500	600	600	600	600	
													(13.3)	(13.8)	15	22	26	28	32	35	37	39	41	42	44	45	
15															500	500	500	500	500	500	500	500	500	500	500	600	
															(14.3)	(14.8)	15	19	25	29	31	34	36	38	40	41	
16																		500	500	500	500	500	500	500	500	500	
																	(15.3)	(15.6)	14	20	24	28	31	33	35	37	
18																						500	500	500	500	500	
																			(16.3)	(16.8)	(17.3)	(17.8)	14	19	23	26	
19.7																									500	500	500
																									(18.3)	(18.8)	(19.7)

NOTE : WEIGHT OF HOOKS, BLOCKS & OTHER
LOAD HANDLING DEVICES SHALL BE ADDED
TO THE WEIGHT OF THE LOAD

MAC-25 4m FLYJIB BOTTOM POSITION LOAD CHART - 40 DEG

ROBWAY DUTY **05**

COUNTERWEIGHT ON FRONT OF CRANE - SPRING LOCKOUTS ENGAGED

S.W.L. ARE BASED ON 66.7% STABILITY & STRENGTH

S.W.L IN KILOGRAMS FOR SLEW ANGLES OF GREATER THAN 10 DEGREES UP TO 40 DEGREES EITHER SIDE OF STRAIGHT AHEAD (INDICATED BY RED LED ON DASH).

- S.W.L. ABOVE BOLD RED LINE ARE STRUCTURAL

BOOM ANGLE - UNDEFLECTED (REF.)

S.W.L. ARE BASED ON FIRM LEVEL GROUND WITH TYRES INFLATED AS PER NOTES

LIFT & CARRY - THE S.W.L. SHALL BE CARRIED WITH THE MINIMUM BOOM LENGTH & AS

NOTE : VALUES IN BRACKETS () ARE ACTUAL RADIUS AT ZERO DEG. BOOM ANGLE.

CLOSE TO THE GROUND AS POSSIBLE AT SPEEDS NOT IN EXCESS OF 0.4 M/SEC

Radius in Metres	BOOM PIVOT TO EDGE OF SHEAVE - THIRD BOOM RETRACTED (metres)																	THIRD BOOM EXTENDING (metres)										
	10.11	10.50	11.00	11.50	12.00	12.50	13.00	13.50	14.00	14.50	15.00	15.50	16.00	16.50	17.00	17.50	18.00	18.31	19.00	19.50	20.00	20.50	21.00	21.50	22.00	22.41		
2.6	700																											
	65																											
3.0	700	700	700																									
	62	64	65																									
3.5	600	600	700	700	700																							
	59	60	62	63	65																							
4.0	600	600	600	600	700	700	700	700																				
	55	57	59	60	62	63	64	65																				
5.0	600	600	600	600	600	600	600	600	700	700	700	700																
	47	49	52	54	56	58	59	60	62	63	64	65																
6.0	500	600	600	600	600	600	600	600	600	600	600	600	700	700	700	700	700											
	38	41	44	47	49	52	53	55	57	58	59	60	61	62	63	64	65											
7.0	500	500	500	500	600	600	600	600	600	600	600	600	600	600	600	600	700	700	700	700	700	700						
	24	29	35	39	42	45	47	49	51	53	54	56	57	58	59	60	61	62	63	64	65	65						
8.0	500	500	500	500	500	500	500	600	600	600	600	600	600	600	600	600	600	600	600	600	700	700	700	700	700	700	700	
	(7.4)	(7.8)	20	28	33	37	40	43	45	47	49	51	52	54	55	56	58	58	60	60	61	62	63	64	64	65		
9.0			500	500	500	500	500	500	500	600	600	600	600	600	600	600	600	600	600	600	600	600	600	600	600	600	600	
			(8.3)	(8.8)	19	26	31	35	38	41	44	46	47	49	51	52	53	54	56	57	58	59	60	60	61	62		
10.0					500	500	500	500	500	500	500	500	600	600	600	600	600	600	600	600	600	600	600	600	600	600	600	
					(9.3)	(9.8)	18	25	30	34	37	40	42	44	46	48	49	50	52	53	54	55	56	57	58	59		
11.0							500	500	500	500	500	500	500	500	600	600	600	600	600	600	600	600	600	600	600	600	600	
							(10.3)	(10.8)	17	24	29	33	36	38	41	43	44	46	48	49	50	52	53	54	55	56		
12									500	500	500	500	500	500	500	500	500	600	600	600	600	600	600	600	600	600	600	
									(11.3)	(11.8)	17	23	28	31	34	37	39	41	43	45	46	48	49	50	51	52		
13											500	500	500	500	500	500	500	500	500	500	600	600	600	600	600	600	600	
											(12.3)	(12.8)	16	22	27	30	33	35	38	40	42	44	45	47	48	49		
14													500	500	500	500	500	500	500	500	500	500	600	600	600	600	600	
													(13.3)	(13.8)	15	22	26	28	32	35	37	39	41	42	44	45		
15															500	500	500	500	500	500	500	500	500	500	500	600	600	
															(14.3)	(14.8)	15	19	25	29	31	34	36	38	40	41		
16																	500	500	500	500	500	500	500	500	500	500	500	
																	(15.3)	(15.6)	14	20	24	28	31	33	35	37		
18																					500	500	500	500	500	500	500	
																					(16.3)	(16.8)	(17.3)	(17.8)	14	19	23	26
19.7																										500	500	500
																										(18.3)	(18.8)	(19.7)

NOTE : WEIGHT OF HOOKS, BLOCKS & OTHER LOAD HANDLING DEVICES SHALL BE ADDED TO THE WEIGHT OF THE LOAD

MAC-25 4m FLYJIB TOP POSITION LOAD CHART - 10 DEG

ROBWAY DUTY **06**

COUNTERWEIGHT ON FRONT OF CRANE - SPRING LOCKOUTS ENGAGED

- S.W.L IN KILOGRAMS FOR SLEW ANGLES OF 10 DEGREES OR LESS EITHER SIDE OF STRAIGHT AHEAD (INDICATED BY GREEN LED ON DASH).
- BOOM ANGLE - UNDEFLECTED (REF.)

NOTE : VALUES IN BRACKETS () ARE ACTUAL RADIUS AT ZERO DEG. BOOM ANGLE.

S.W.L. ARE BASED ON 66.7% STABILITY & STRENGTH

- S.W.L. ABOVE BOLD RED LINE ARE STRUCTURAL

S.W.L. ARE BASED ON FIRM LEVEL GROUND WITH TYRES INFLATED AS PER NOTES

LIFT & CARRY - THE S.W.L. SHALL BE CARRIED WITH THE MINIMUM BOOM LENGTH & AS

CLOSE TO THE GROUND AS POSSIBLE AT SPEEDS NOT IN EXCESS OF 0.4 M/SEC

Radius in Metres	BOOM PIVOT TO EDGE OF SHEAVE - THIRD BOOM RETRACTED (metres)																	THIRD BOOM EXTENDING (metres)									
	10.18	10.50	11.00	11.50	12.00	12.50	13.00	13.50	14.00	14.50	15.00	15.50	16.00	16.50	17.00	17.50	18.00	18.38	19.00	19.50	20.00	20.50	21.00	21.50	22.00	22.48	
2.6	700																										
	65																										
3.0	700	700	700																								
	63	64	65																								
3.5	600	600	600	700	700	700	700	700																			
	56	57	59	61	62	63	64	65																			
4.0	600	600	600	600	600	600	600	700	700	700	700	700															
	49	51	53	55	56	58	59	61	62	63	64	65															
5.0	600	600	600	600	600	600	600	600	600	600	700	700	700	700	700												
	41	43	46	48	50	52	54	56	57	58	60	61	62	63	63	64	65										
6.0	500	500	500	600	600	600	600	600	600	600	600	600	600	600	600	700	700	700	700	700	700	700					
	32	34	38	41	44	46	48	50	52	54	55	56	57	59	60	61	62	62	63	64	65	65					
7.0	500	500	500	500	500	500	600	600	600	600	600	600	600	600	600	600	600	600	600	600	700	700	700	700	700	700	700
	18	23	28	33	36	39	42	44	47	48	50	52	53	54	56	57	58	59	60	61	61	62	63	64	64	65	
8.0	500	500	500	500	500	500	500	500	600	600	600	600	600	600	600	600	600	600	600	600	600	600	600	600	700	700	700
	(7.5)	(7.8)	14	22	27	31	35	38	41	43	45	47	48	50	51	53	54	55	56	57	58	59	60	61	61	62	
9.0			500	500	500	500	500	500	500	500	500	600	600	600	600	600	600	600	600	600	600	600	600	600	600	600	600
			(8.3)	(8.8)	13	21	26	30	34	37	39	41	43	45	47	48	50	51	52	54	55	56	57	57	58	59	
10.0					500	500	500	500	500	500	500	500	500	500	600	600	600	600	600	600	600	600	600	600	600	600	600
					(9.3)	(9.8)	13	20	25	29	33	35	38	40	42	44	46	47	48	50	51	52	53	54	55	56	
11.0							500	500	500	500	500	500	500	500	500	500	600	600	600	600	600	600	600	600	600	600	600
							(10.3)	(10.8)	12	19	24	28	31	34	37	39	41	42	44	46	47	48	50	51	52	53	
12									500	500	500	500	500	500	500	500	500	500	500	500	600	600	600	600	600	600	600
									(11.3)	(11.8)	12	19	24	27	31	33	36	37	40	41	43	45	46	47	48	50	
13											500	500	500	500	500	500	500	500	500	500	500	500	600	600	600	600	
											(12.3)	(12.8)	11	18	23	27	30	32	35	37	39	40	42	44	45	46	
14													500	500	500	500	500	500	500	500	500	500	500	500	600	600	
													(13.3)	(13.8)	11	18	22	25	29	31	34	36	38	39	41	42	
15															500	500	500	500	500	500	500	500	500	500	500	500	
															(14.3)	(14.8)	11	16	22	25	28	31	33	35	37	38	
16																	500	500	500	500	500	500	500	500	500	500	
																	(15.3)	(15.7)	11	17	21	25	27	30	32	34	
18																			500	500	500	500	500	500	500	500	
																			(16.3)	(16.8)	(17.3)	(17.8)	10	16	20	23	
19.7																									500	500	500
																									(18.3)	(18.8)	(19.7)

NOTE : WEIGHT OF HOOKS, BLOCKS & OTHER LOAD HANDLING DEVICES SHALL BE ADDED TO THE WEIGHT OF THE LOAD

MAC-25 4m FLYJIB TOP POSITION LOAD CHART - 40 DEG

ROBWAY DUTY **06**

COUNTERWEIGHT ON FRONT OF CRANE - SPRING LOCKOUTS ENGAGED

Yellow S.W.L IN KILOGRAMS FOR SLEW ANGLES OF GREATER THAN 10 DEGREES UP TO 40 DEGREES EITHER SIDE OF STRAIGHT AHEAD (INDICATED BY RED LED ON DASH).
White BOOM ANGLE - UNDEFLECTED (REF.)

NOTE : VALUES IN BRACKETS () ARE ACTUAL RADIUS AT ZERO DEG. BOOM ANGLE.

S.W.L. ARE BASED ON 66.7% STABILITY & STRENGTH

- S.W.L. ABOVE BOLD RED LINE ARE STRUCTURAL

S.W.L. ARE BASED ON FIRM LEVEL GROUND WITH TYRES INFLATED AS PER NOTES
 LIFT & CARRY - THE S.W.L. SHALL BE CARRIED WITH THE MINIMUM BOOM LENGTH & AS CLOSE TO THE GROUND AS POSSIBLE AT SPEEDS NOT IN EXCESS OF 0.4 M/SEC

Radius in Metres	BOOM PIVOT TO EDGE OF SHEAVE - THIRD BOOM RETRACTED (metres)																	THIRD BOOM EXTENDING (metres)									
	10.18	10.50	11.00	11.50	12.00	12.50	13.00	13.50	14.00	14.50	15.00	15.50	16.00	16.50	17.00	17.50	18.00	18.38	19.00	19.50	20.00	20.50	21.00	21.50	22.00	22.48	
1.6	700																										
	65																										
2.0	700	700	700																								
	63	64	65																								
3.0	600	600	600	700	700	700	700	700																			
	56	57	59	61	62	63	64	65																			
4.0	600	600	600	600	600	600	600	700	700	700	700	700															
	49	51	53	55	56	58	59	61	62	63	64	65															
5.0	600	600	600	600	600	600	600	600	600	600	700	700	700	700	700												
	41	43	46	48	50	52	54	56	57	58	60	61	62	63	63	64	65										
6.0	500	500	500	600	600	600	600	600	600	600	600	600	600	600	600	700	700	700	700	700	700	700					
	32	34	38	41	44	46	48	50	52	54	55	56	57	59	60	61	62	62	63	64	65	65					
7.0	500	500	500	500	500	500	600	600	600	600	600	600	600	600	600	600	600	600	600	700	700	700	700	700	700	700	700
	18	23	28	33	36	39	42	44	47	48	50	52	53	54	56	57	58	59	60	61	61	62	63	64	64	65	65
8.0	500	500	500	500	500	500	500	500	600	600	600	600	600	600	600	600	600	600	600	600	600	600	600	700	700	700	700
	(7.5)	(7.8)	14	22	27	31	35	38	41	43	45	47	48	50	51	53	54	55	56	57	58	59	60	61	61	62	62
9.0			500	500	500	500	500	500	500	500	600	600	600	600	600	600	600	600	600	600	600	600	600	600	600	600	600
			(8.3)	(8.8)	13	21	26	30	34	37	39	41	43	45	47	48	50	51	52	54	55	56	57	57	58	59	59
10.0					500	500	500	500	500	500	500	500	500	500	600	600	600	600	600	600	600	600	600	600	600	600	600
					(9.3)	(9.8)	13	20	25	29	33	35	38	40	42	44	46	47	48	50	51	52	53	54	55	56	56
11.0							500	500	500	500	500	500	500	500	500	500	600	600	600	600	600	600	600	600	600	600	600
							(10.3)	(10.8)	12	19	24	28	31	34	37	39	41	42	44	46	47	48	50	51	52	53	53
12									500	500	500	500	500	500	500	500	500	500	500	600	600	600	600	600	600	600	600
									(11.3)	(11.8)	12	19	24	27	31	33	36	37	40	41	43	45	46	47	48	50	50
13											500	500	500	500	500	500	500	500	500	500	500	600	600	600	600	600	
											(12.3)	(12.8)	11	18	23	27	30	32	35	37	39	40	42	44	45	46	46
14													500	500	500	500	500	500	500	500	500	500	500	500	600	600	
													(13.3)	(13.8)	11	18	22	25	29	31	34	36	38	39	41	42	42
15															500	500	500	500	500	500	500	500	500	500	500	500	500
															(14.3)	(14.8)	11	16	22	25	28	31	33	35	37	38	38
16																	500	500	500	500	500	500	500	500	500	500	500
																	(15.3)	(15.7)	11	17	21	25	27	30	32	34	34
18																				500	500	500	500	500	500	500	500
																				(16.3)	(16.8)	(17.3)	(17.8)	10	16	20	23
19.77																									500	500	500
																									(18.3)	(18.8)	(19.8)

MAC-25 MAN BASKET LOAD CHART - 10 DEG. ART.

ROBWAY DUTY **07**

COUNTERWEIGHT ON FRONT OF CRANE - SPRING LOCKOUTS ENGAGED

275 S.W.L IN KILOGRAMS FOR SLEW ANGLES OF 10 DEGREES OR LESS EITHER SIDE OF STRAIGHT AHEAD (INDICATED BY GREEN LED ON DASH).
275 BOOM ANGLE - UNDEFLECTED (REF.)

MAN BASKET S.W.L : **275** KG TARE WEIGHT: **250** KG
 S.W.L. ARE BASED ON FALL BLOCK LOAD RATINGS DIVIDED BY THREE WHERE THIS IS LESS THAN THE STRUCTURAL RATING OF THE BASKET
 S.W.L. ARE BASED ON FIRM LEVEL GROUND WITH TYRES INFLATED AS PER NOTES

NOTE : VALUES IN BRACKETS () ARE ACTUAL RADIUS AT ZERO DEG. BOOM ANGLE.

Radius in Metres	BOOM PIVOT TO HEAD SHEAVES - THIRD BOOM RETRACTED (metres)																	THIRD BOOM EXTENDING (metres)										
	6.12	6.50	7.00	7.50	8.00	8.50	9.00	9.50	10.00	10.50	11.00	11.50	12.00	12.50	13.00	13.50	14.32	14.50	15.00	15.50	16.00	16.50	17.00	17.50	18.00	18.42		
1.4	275	275	275	275	275	275	275	275																				
	48	51	54	57	59	61	63	65																				
2.0	275	275	275	275	275	275	275	275	275	275	275																	
	40	44	48	51	54	57	59	61	62	64	65																	
2.5	275	275	275	275	275	275	275	275	275	275	275	275	275															
	32	37	42	46	50	52	55	57	59	61	62	63	65															
3.0	275	275	275	275	275	275	275	275	275	275	275	275	275	275	275													
	21	29	35	41	45	48	51	53	55	57	59	61	62	63	64	65												
3.5	275	275	275	275	275	275	275	275	275	275	275	275	275	275	275	275	275	275										
	(3.4)	17	28	34	39	43	47	49	52	54	56	58	59	61	62	63	65	65										
4.0		275	275	275	275	275	275	275	275	275	275	275	275	275	275	275	275	275	275	275								
		(3.8)	17	27	33	38	42	45	48	51	53	55	56	58	59	61	62	63	64	65								
5.0			275	275	275	275	275	275	275	275	275	275	275	275	275	275	275	275	275	275	275	275	275	275	275	275		
			(4.3)	(4.8)	16	25	31	36	40	43	46	48	50	52	54	56	58	58	59	61	62	63	63	64	65			
6.0					275	275	275	275	275	275	275	275	275	275	275	275	275	275	275	275	275	275	275	275	275	275		
					(5.3)	(5.8)	15	24	30	34	38	41	44	46	48	50	53	53	55	56	57	58	60	61	61	62		
7.0							275	275	275	275	275	275	275	275	275	275	275	275	275	275	275	275	275	275	275	275		
							(6.3)	(6.8)	14	23	28	33	36	39	42	44	48	48	50	52	53	54	56	57	58	59		
8.0									275	275	275	275	275	275	275	275	275	275	275	275	275	275	275	275	275	275		
									(7.3)	(7.8)	14	22	27	31	35	38	42	43	45	47	48	50	51	53	54	55		
9.0											275	275	275	275	275	275	275	275	275	275	275	275	275	275	275	275		
											(8.3)	(8.8)	13	21	26	30	35	36	39	41	43	45	47	48	50	51		
10													275	275	275	275	275	275	275	275	275	275	275	275	275	275		
													(9.3)	(9.8)	12	20	28	29	32	35	38	40	42	44	45	47		
11															275	275	275	275	275	275	275	275	275	275	275	275		
															(10.3)	(10.8)	17	19	24	28	31	34	37	39	41	42		
12																	275	275	275	275	275	275	275	275	275	275		
																	(11.6)	(11.8)	12	19	23	27	30	33	36	37		
13																			275	275	275	275	275	275	275	275	275	
																			(12.3)	(12.8)	11	18	23	27	30	32		
14																						275	275	275	275	275		
																					(13.3)	(13.8)	11	18	22	25		
15																							275	250	250	265		
																							(14.3)	(14.8)	11	16		
15.71																									230	215		
																									(15.3)	(15.7)		

NOTE : WEIGHT OF HOOKS, BLOCKS & OTHER LOAD HANDLING DEVICES SHALL BE ADDED TO THE WEIGHT OF THE LOAD

MAC-25 MAN BASKET LOAD CHART - 40 DEG. ART.

ROBWAY DUTY **07**

COUNTERWEIGHT ON FRONT OF CRANE - SPRING LOCKOUTS ENGAGED

275 S.W.L IN KILOGRAMS FOR SLEW ANGLES OF GREATER THAN 10 DEGREES UP TO 40 DEGREES EITHER SIDE OF STRAIGHT AHEAD (INDICATED BY RED LED ON DASH).
275 BOOM ANGLE - UNDEFLECTED (REF.)

MAN BASKET S.W.L. : **275** KG TARE WEIGHT: **250** KG
 S.W.L. ARE BASED ON FALL BLOCK LOAD RATINGS DIVIDED BY THREE WHERE THIS IS LESS THAN THE STRUCTURAL RATING OF THE BASKET
 S.W.L. ARE BASED ON FIRM LEVEL GROUND WITH TYRES INFLATED AS PER NOTES

NOTE : VALUES IN BRACKETS () ARE ACTUAL RADIUS AT ZERO DEG. BOOM ANGLE.

Radius in Metres	BOOM PIVOT TO HEAD SHEAVES - THIRD BOOM RETRACTED (metres)														THIRD BOOM EXTENDING (metres)											
	6.12	6.50	7.00	7.50	8.00	8.50	9.00	9.50	10.00	10.50	11.00	11.50	12.00	12.50	13.00	13.50	14.32	14.50	15.00	15.50	16.00	16.50	17.00	17.50	18.00	18.42
1.4	275	275	275	275	275	275	275	275																		
	48	51	54	57	59	61	63	65																		
2.0	275	275	275	275	275	275	275	275	275	275	275															
	40	44	48	51	54	57	59	61	62	64	65															
2.5	275	275	275	275	275	275	275	275	275	275	275	275	275													
	32	37	42	46	50	52	55	57	59	61	62	63	65													
3.0	275	275	275	275	275	275	275	275	275	275	275	275	275	275	275	275										
	21	29	35	41	45	48	51	53	55	57	59	61	62	63	64	65										
3.5	275	275	275	275	275	275	275	275	275	275	275	275	275	275	275	275	275									
	(3.4)	17	28	34	39	43	47	49	52	54	56	58	59	61	62	63	65	65								
4.0	275	275	275	275	275	275	275	275	275	275	275	275	275	275	275	275	275	275	275	275						
	(3.8)	17	27	33	38	42	45	48	51	53	55	56	58	59	61	62	63	64	65							
5.0			275	275	275	275	275	275	275	275	275	275	275	275	275	275	275	275	275	275	275	275	275	275	275	275
			(4.3)	(4.8)	16	25	31	36	40	43	46	48	50	52	54	56	58	58	59	61	62	63	63	64	65	
6.0					275	275	275	275	275	275	275	275	275	275	275	275	275	275	275	275	275	275	275	275	275	275
					(5.3)	(5.8)	15	24	30	34	38	41	44	46	48	50	53	53	55	56	57	58	60	61	61	62
7.0							275	275	275	275	275	275	275	275	275	275	275	275	275	275	275	275	275	275	275	275
							(6.3)	(6.8)	14	23	28	33	36	39	42	44	48	48	50	52	53	54	56	57	58	59
8.0									275	275	275	275	275	275	275	275	275	275	275	275	275	275	275	275	275	275
									(7.3)	(7.8)	14	22	27	31	35	38	42	43	45	47	48	50	51	53	54	55
9.0											275	275	275	275	275	275	275	275	275	275	275	275	275	275	275	
											(8.3)	(8.8)	13	21	26	30	35	36	39	41	43	45	47	48	50	51
10													275	275	275	275	275	275	275	275	275	275	275	275	275	
													(9.3)	(9.8)	12	20	28	29	32	35	38	40	42	44	45	47
11															275	275	275	275	275	275	275	275	275	275	275	
															(10.3)	(10.8)	17	19	24	28	31	34	37	39	41	42
12																	275	275	275	275	275	275	275	275	275	
																	(11.6)	(11.8)	12	19	23	27	30	33	36	37
13																			275	250	250	265	275	275	275	275
																			(12.3)	(12.8)	11	18	23	27	30	32
14																					230	200	200	215	215	230
																					(13.3)	(13.8)	11	18	22	25
15																						180	165	165	165	
																						(14.3)	(14.8)	11	16	
15.71																								130	115	
																								(15.3)	(15.7)	

MAC-25 BUTT LUG - 10 DEG. ART.

COUNTERWEIGHT ON FRONT OF CRANE - SPRING LOCKOUTS ENGAGED

MAC-25 BUTT LUG - 40 DEG. ART.

COUNTERWEIGHT ON FRONT OF CRANE - SPRING LOCKOUTS ENGAGED



S.W.L IN KILOGRAMS FOR SLEW ANGLES OF 10 DEGREES OR LESS EITHER SIDE OF STRAIGHT AHEAD (INDICATED BY GREEN LED ON DASH).



BOOM ANGLE - UNDEFLECTED (REF.)

NOTE: VALUES IN BRACKETS () ARE ACTUAL RADIUS AT ZERO DEG. BOOM ANGLE. SWL IS AT THIS RADIUS



S.W.L IN KILOGRAMS FOR SLEW ANGLES OF GREATER THAN 10 DEGREES UP TO 40 DEGREES EITHER SIDE OF STRAIGHT AHEAD (INDICATED BY RED LED ON DASH).



BOOM ANGLE - UNDEFLECTED (REF.)

NOTE: VALUES IN BRACKETS () ARE ACTUAL RADIUS AT ZERO DEG. BOOM ANGLE. SWL IS AT THIS RADIUS

S.W.L. ARE BASED ON 66.7% STABILITY & STRENGTH - S.W.L. ABOVE BOLD RED LINE ARE STRUCTURAL - S.W.L. ARE BASED ON FIRM, LEVEL GROUND WITH TYRES INFLATED AS PER NOTES LIFT & CARRY - THE S.W.L. SHALL BE CARRIED WITH THE MINIMUM BOOM LENGTH & AS CLOSE TO THE GROUND AS POSSIBLE AT SPEEDS NOT IN EXCESS OF 0.4 M/SEC

NOTE : WEIGHT OF HOOKS, BLOCKS & OTHER LOAD HANDLING DEVICES SHALL BE ADDED TO THE WEIGHT OF THE LOAD

Radius in Metres	Boom Length (metres)
	4.81
1.4	23550
	32
1.5	23100
	30
1.6	22700
	27
1.7	22300
	24
1.8	21400
	21
1.9	20150
	18
2.1	17950
	0

NOTE : WEIGHT OF HOOKS, BLOCKS & OTHER LOAD HANDLING DEVICES SHALL BE ADDED TO THE WEIGHT OF THE LOAD

Radius in Metres	Boom Length (metres)
	4.81
1.4	23550
	32
1.5	23100
	30
1.6	21700
	27
1.7	20300
	24
1.8	19100
	21
1.9	17950
	18
2.1	15950
	0

ROBWAY DUTY 09

MAC25 LUG 1 LOAD CHART - 10 DEG. ART.

COUNTERWEIGHT ON FRONT OF CRANE - SPRING LOCKOUTS ENGAGED



S.W.L IN KILOGRAMS FOR SLEW ANGLES OF 10 DEGREES OR LESS EITHER
SIDE OF STRAIGHT AHEAD (INDICATED BY GREEN LED ON DASH).



BOOM ANGLE - UNDEFLECTED (REF.)

NOTE: VALUES IN BRACKETS () ARE ACTUAL RADIUS AT ZERO DEG. BOOM ANGLE.
SWL IS AT THIS RADIUS

MAC25 LUG 1 LOAD CHART - 40 DEG. ART.

COUNTERWEIGHT ON FRONT OF CRANE - SPRING LOCKOUTS ENGAGED



S.W.L IN KILOGRAMS FOR SLEW ANGLES OF GREATER THAN 10 DEGREES UP TO 40
DEGREES EITHER SIDE OF STRAIGHT AHEAD (INDICATED BY RED LED ON DASH).



BOOM ANGLE - UNDEFLECTED (REF.)

NOTE: VALUES IN BRACKETS () ARE ACTUAL RADIUS AT ZERO DEG. BOOM ANGLE.
SWL IS AT THIS RADIUS

S.W.L. ARE BASED ON 66.7% STABILITY & STRENGTH - S.W.L. ABOVE BOLD RED LINE ARE STRUCTURAL - S.W.L. ARE BASED ON FIRM, LEVEL GROUND WITH TYRES INFLATED AS PER NOTES
LIFT & CARRY - THE S.W.L. SHALL BE CARRIED WITH THE MINIMUM BOOM LENGTH & AS CLOSE TO THE GROUND AS POSSIBLE AT SPEEDS NOT IN EXCESS OF 0.4 M/SEC

NOTE : WEIGHT OF HOOKS, BLOCKS & OTHER LOAD HANDLING DEVICES SHALL BE ADDED TO THE WEIGHT OF THE LOAD

RADIUS IN METRES	BOOM PIVOT TO LUG 1, 1st EXTENSION, THIRD EXTENSION RETRACTED (metres)									
	5.36	5.50	6.00	6.50	7.00	7.50	8.00	8.50	9.00	9.46
1.4	24350	24300	24100	23950	23750	23600	23450	23250	23100	22950
	40	42	47	51	54	57	59	61	63	64
2	19500	19400	19100	18850	18600	18400	18200	18000	17900	17750
	29	31	38	44	48	51	54	56	59	60
2.5	15250	15200	14950	14700	14500	14300	14150	14000	13850	13750
	14	19	30	37	42	46	49	52	55	57
3	14200	13350	12100	11950	11750	11600	11450	11300	11200	11100
	(2.7)	(2.8)	18	29	35	41	45	48	51	53
3.5			10800	9950	9800	9650	9500	9400	9300	9200
			(3.3)	17	28	34	39	43	46	49
4				8900	8300	8150	8050	7950	7850	7750
				(3.8)	17	27	33	38	42	45
5					7500	6350	6000	5900	5800	5750
					(4.3)	(4.8)	16	25	31	36
6							5400	4650	4450	4400
							(5.3)	(5.8)	15	23
6.8									4000	3500
									(6.3)	(6.8)

RADIUS IN METRES	BOOM PIVOT TO LUG 1, 1st EXTENSION, THIRD EXTENSION RETRACTED (metres)									
	5.36	5.50	6.00	6.50	7.00	7.50	8.00	8.50	9.00	9.46
1.4	24350	24300	23450	21550	17850	16350	15100	14100	13200	12450
	40	42	47	51	54	57	59	61	63	64
2	17450	17350	17000	16750	16500	15650	14700	13850	13100	11300
	29	31	38	44	48	51	54	56	59	60
2.5	13600	13500	13250	13050	12800	12650	12500	12100	11400	10900
	14	19	30	37	42	46	49	52	55	57
3	12650	11850	10750	10550	10350	10200	10050	9900	9800	9550
	(2.7)	(2.8)	18	29	35	41	45	48	51	53
3.5			9500	8750	8600	8450	8300	8200	8100	8000
			(3.3)	17	28	34	39	43	46	49
4				7800	7250	7150	7000	6900	6800	6700
				(3.8)	17	27	33	38	42	45
5					6500	5500	5150	5050	5000	4900
					(4.3)	(4.8)	16	25	31	36
6							4650	3950	3750	3700
							(5.3)	(5.8)	15	23
6.8									3350	2900
									(6.3)	(6.8)

MAC-25 LUG 2 LOAD CHART - 10 DEG. ART.

ROBWAY DUTY **10**

COUNTERWEIGHT ON FRONT OF CRANE - SPRING LOCKOUTS ENGAGED



S.W.L IN KILOGRAMS FOR SLEW ANGLES OF 10 DEGREES OR LESS EITHER SIDE OF STRAIGHT AHEAD (INDICATED BY GREEN LED ON DASH).



BOOM ANGLE - UNDEFLECTED (REF.)

S.W.L. ARE BASED ON 66.7% STABILITY & STRENGTH

- S.W.L. ABOVE BOLD RED LINE ARE STRUCTURAL

S.W.L. ARE BASED ON FIRM LEVEL GROUND WITH TYRES

INFLATED AS PER THE NOTES

NOTE : VALUES IN BRACKETS () ARE ACTUAL RADIUS AT ZERO DEG. BOOM ANGLE.

LIFT & CARRY - THE S.W.L. SHALL BE CARRIED WITH THE MIN BOOM LENGTH & AS CLOSE TO THE GROUND AS POSSIBLE AT SPEEDS NOT IN EXCESS OF 0.4 M/SEC

Radius in Metres	BOOM PIVOT TO LUG 2, 2nd EXTENSION, THIRD EXTENSION RETRACTED (metres)																	
	5.57	6.00	6.50	7.00	7.50	8.00	8.50	9.00	9.50	10.00	10.50	11.00	11.50	12.00	12.50	13.00	13.50	13.77
1.4	24550	24500	24450	24400	24350	24300	24200	24150	24100									
	42	46	50	54	57	59	61	63	64									
2	19650	19600	19600	19550	19550	19500	19500	19450	19450	19450	19400	19400						
	32	38	43	47	51	54	56	58	60	62	63	64						
2.5	15400	15400	15350	15350	15350	15300	15300	15300	15250	15250	15250	15200	15200	15200				
	20	29	36	42	46	49	52	54	57	58	60	62	63	64				
3	13150	12550	12550	12500	12500	12500	12450	12450	12450	12450	12400	12400	12400	12400	12200			
	13	18	28	35	40	44	48	50	53	55	57	59	60	61	63			
3.5	13150	11200	10500	10550	10500	10500	10500	10500	10450	10450	10450	10450	10450	10400	10400	10400	10400	10400
	(2.9)	(3.3)	17	27	34	39	43	46	49	51	54	55	57	59	60	61	62	63
4			9500	9000	9000	9000	9000	9000	8950	8950	8950	8950	8950	8950	8950	8900	8900	8900
			(3.8)	16	26	33	38	42	45	48	50	52	54	56	57	59	60	61
5				8200	7150	6850	6900	6900	6850	6850	6850	6850	6850	6850	6850	6850	6800	6800
				(4.3)	(4.8)	15	25	31	36	39	43	45	48	50	52	53	55	56
6						6350	5650	5450	5450	5450	5450	5450	5450	5450	5450	5450	5400	5400
						(5.3)	(5.8)	14	23	29	34	37	41	43	46	48	50	51
7								5050	4550	4450	4450	4450	4450	4450	4450	4450	4450	4450
								(6.3)	(6.8)	14	22	28	32	36	39	42	44	45
8										4150	3750	3700	3700	3700	3700	3700	3700	3700
										(7.3)	(7.8)	13	21	27	31	34	37	39
9												3400	3150	3100	3100	3100	3100	3100
												(8.3)	(8.8)	12	20	26	30	32
10														2850	2650	2600	2600	2600
														(9.3)	(9.8)	12	19	23
11																2400	2250	2200
																(10.3)	(10.8)	6
11.1																		2150
																		(11.1)

MAC-25 LUG 2 LOAD CHART - 40 DEG. ART.

ROBWAY DUTY **10**

COUNTERWEIGHT ON FRONT OF CRANE - SPRING LOCKOUTS ENGAGED



S.W.L IN KILOGRAMS FOR SLEW ANGLES OF GREATER THAN 10 DEGREES UP TO 40 DEGREES EITHER SIDE OF STRAIGHT AHEAD (INDICATED BY RED LED ON DASH).

S.W.L. ARE BASED ON 66.7% STABILITY & STRENGTH



BOOM ANGLE - UNDEFLECTED (REF.)

- S.W.L. ABOVE BOLD RED LINE ARE STRUCTURAL

S.W.L. ARE BASED ON FIRM LEVEL GROUND WITH TYRES

NOTE: VALUES IN BRACKETS () ARE ACTUAL RADIUS AT ZERO DEG. BOOM ANGLE.

INFLATED AS PER THE NOTES

LIFT & CARRY - THE S.W.L. SHALL BE CARRIED WITH THE MIN BOOM LENGTH & AS CLOSE TO THE GROUND AS POSSIBLE AT SPEEDS NOT IN EXCESS OF 0.4 M/SEC

Radius in Metres	BOOM PIVOT TO LUG 2, 2nd EXTENSION, THIRD EXTENSION RETRACTED (METRES)																	
	(metres)																	
	5.57	6.00	6.50	7.00	7.50	8.00	8.50	9.00	9.50	10.00	10.50	11.00	11.50	12.00	12.50	13.00	13.50	13.77
1.4	24550	23850	22150	18400	17000	15850	14900	14100	13350									
	42	46	50	54	57	59	61	63	64									
2	17550	17550	17500	17500	16550	14050	13800	12950	12250	11650	11100	10600						
	32	38	43	47	51	54	56	58	60	62	63	64						
2.5	13700	13700	13700	13700	13650	13650	13200	12600	12100	11650	10300	9850	9450	9050				
	20	29	36	42	46	49	52	54	57	58	60	62	63	64				
3	11700	11150	11150	11150	11100	11100	10800	10350	10000	9650	9350	8400	8100	7800	7550			
	12	18	28	35	40	44	48	50	53	55	57	59	60	61	63			
3.5	11700	9950	9350	9350	9350	9300	9300	9300	9300	9250	9000	8700	8450	8200	7950	7250	7000	6850
	(2.9)	(3.3)	17	27	34	39	43	46	49	51	54	55	57	59	60	61	62	63
4			8400	7950	7950	7950	7950	7950	7950	7900	7900	7900	7650	7400	7200	7000	6850	6750
			(3.8)	16	26	33	38	42	45	48	50	52	54	56	57	59	60	61
5				7250	6300	6050	6050	6050	6050	6050	6050	6000	6000	6000	6000	5850	5700	5650
				(4.3)	(4.8)	15	25	31	36	39	43	45	48	50	52	53	55	56
6						5550	4900	4750	4750	4750	4750	4750	4750	4750	4750	4750	4750	4750
						(5.3)	(5.8)	14	23	29	34	37	41	43	46	48	50	51
7								4400	3950	3850	3850	3850	3850	3850	3850	3850	3850	3850
								(6.3)	(6.8)	14	22	28	32	36	39	42	44	45
8										3550	3200	3150	3150	3150	3150	3150	3150	3150
										(7.3)	(7.8)	13	21	27	31	34	37	39
9												2900	2650	2650	2650	2650	2650	2650
												(8.3)	(8.8)	12	20	26	30	32
10														2400	2200	2200	2200	2200
														(9.3)	(9.8)	12	19	23
11																2000	1850	1850
																(10.3)	(10.8)	6
11.1																		1750
																		(11.1)

MAC-25 FALL BLOCK LOAD CHART - 10 DEG. ART.

ROBWAY DUTY **11**

COUNTERWEIGHT ON REAR OF CRANE - SPRING LOCKOUTS ENGAGED

S.W.L. ARE BASED ON 66.7% STABILITY & STRENGTH

Yellow S.W.L IN KILOGRAMS FOR SLEW ANGLES OF 10 DEGREES OR LESS EITHER

- S.W.L. ABOVE BOLD RED LINE ARE STRUCTURAL

White SIDE OF STRAIGHT AHEAD (INDICATED BY GREEN LED ON DASH).

S.W.L. ARE BASED ON FIRM LEVEL GROUND WITH TYRES INFLATED AS PER NOTES

White BOOM ANGLE - UNDEFLECTED (REF.)

LIFT & CARRY - THE S.W.L. SHALL BE CARRIED WITH THE MINIMUM BOOM LENGTH & AS

NOTE : VALUES IN BRACKETS () ARE ACTUAL RADIUS AT ZERO DEG. BOOM ANGLE.

CLOSE TO THE GROUND AS POSSIBLE AT SPEEDS NOT IN EXCESS OF 0.4 M/SEC

Radius in Metres	BOOM PIVOT TO HEAD SHEAVES - THIRD BOOM RETRACTED (metres)														THIRD BOOM EXTENDING (metres)												
	6.12	6.50	7.00	7.50	8.00	8.50	9.00	9.50	10.00	10.50	11.00	11.50	12.00	12.50	13.00	13.50	14.32	14.50	15.00	15.50	16.00	16.50	17.00	17.50	18.00	18.42	
1.4	25000	25000	25000	25000	25000	25000	25000	25000																			
	48	51	54	57	59	61	63	65																			
2.0	23000	22950	22850	22950	22900	22850	22850	22800	22800	22150	19300																
	40	44	48	51	54	57	59	61	62	64	65																
2.5	18200	18150	18150	18100	18050	18000	18000	17950	17950	17900	17750	15550	14600														
	32	37	42	46	50	52	55	57	59	61	62	63	65														
3.0	14900	14900	14900	14850	14800	14800	14750	14750	14700	14700	14700	14350	13500	13000	12600	12250											
	21	29	35	41	45	48	51	53	55	57	59	61	62	63	64	65											
3.5	12900	12550	12550	12500	12500	12500	12450	12450	12400	12400	12350	12350	12150	11750	11400	10850	10750										
	(3.4)	17	28	34	39	43	47	49	52	54	56	58	59	61	62	63	65	65									
4.0		11450	10800	10750	10750	10750	10700	10700	10700	10650	10650	10650	10600	10600	10600	10100	10050	9850	9650								
		(3.8)	17	27	33	38	42	45	48	51	53	55	56	58	59	61	62	63	64	65							
5.0			9900	8700	8300	8300	8300	8250	8250	8250	8250	8200	8200	8200	8200	8200	8150	8200	8200	8250	8300	8250	8150	8000	7900		
			(4.3)	(4.8)	16	25	31	36	40	43	46	48	50	52	54	56	58	58	59	61	62	63	63	64	65		
6.0					7700	6900	6650	6650	6650	6600	6600	6600	6600	6600	6600	6550	6550	6550	6600	6650	6700	6750	6750	6800	6800	6850	
					(5.3)	(5.8)	15	24	30	34	38	41	44	46	48	50	53	53	55	56	57	58	60	61	61	62	
7.0							6250	5650	5450	5450	5450	5450	5450	5450	5400	5400	5400	5400	5500	5550	5550	5600	5650	5650	5700		
							(6.3)	(6.8)	14	23	28	33	36	39	42	44	48	48	50	52	53	54	56	57	58	59	
8.0									5150	4700	4550	4550	4550	4550	4550	4550	4550	4550	4600	4650	4650	4700	4750	4750	4800	4800	
									(7.3)	(7.8)	13	22	27	31	35	38	42	43	45	47	48	50	51	53	54	55	
9.0										4350	4000	3900	3900	3900	3900	3850	3900	3900	3950	4000	4050	4050	4100	4100	4150		
										(8.3)	(8.8)	13	21	26	30	35	36	39	41	43	45	47	48	50	51		
10												3700	3400	3350	3350	3350	3350	3400	3400	3450	3500	3500	3550	3550	3600		
												(9.3)	(9.8)	12	20	28	29	32	35	38	40	42	44	45	47		
11																3200	2950	2900	2900	2950	3000	3000	3050	3100	3150	3150	
																(10.3)	(10.8)	17	19	24	28	31	34	37	39	41	42
12																	2650	2600	2550	2600	2650	2650	2700	2750	2750	2800	
																	(11.6)	(11.8)	12	19	23	27	30	33	36	37	
13																		2450	2350	2300	2350	2400	2400	2450	2450		
																		(12.3)	(12.8)	11	18	23	27	30	32		
14																					2200	2100	2100	2150	2200		
																					(13.3)	(13.8)	11	18	22	25	
15																							2050	1950	1950	1950	
																						(14.3)	(14.8)	10	16		
15.71																								1850	1800		
																								(15.3)	(15.7)		

MAC-25 FALL BLOCK LOAD CHART - 40 DEG. ART.

COUNTERWEIGHT ON REAR OF CRANE - SPRING LOCKOUTS ENGAGED

Yellow Box: S.W.L IN KILOGRAMS FOR SLEW ANGLES OF GREATER THAN 10 DEGREES UP TO 40 DEGREES EITHER SIDE OF STRAIGHT AHEAD (INDICATED BY RED LED ON DASH).

White Box: BOOM ANGLE - UNDEFLECTED (REF.)

NOTE: VALUES IN BRACKETS () ARE ACTUAL RADIUS AT ZERO DEG. BOOM ANGLE.

ROBWAY DUTY **11**

S.W.L. ARE BASED ON 66.7% STABILITY & STRENGTH

- S.W.L. ABOVE BOLD RED LINE ARE STRUCTURAL

S.W.L. ARE BASED ON FIRM LEVEL GROUND WITH TYRES INFLATED AS PER NOTES

LIFT & CARRY - THE S.W.L. SHALL BE CARRIED WITH THE MINIMUM BOOM LENGTH & AS

CLOSE TO THE GROUND AS POSSIBLE AT SPEEDS NOT IN EXCESS OF 0.4 M/SEC

Radius in Metres	BOOM PIVOT TO HEAD SHEAVES - THIRD BOOM RETRACTED (metres)														THIRD BOOM EXTENDING (metres)											
	6.12	6.50	7.00	7.50	8.00	8.50	9.00	9.50	10.00	10.50	11.00	11.50	12.00	12.50	13.00	13.50	14.32	14.50	15.00	15.50	16.00	16.50	17.00	17.50	18.00	18.42
1.4	21750	20200	18550	17250	16150	15200	14400	13700																		
	48	51	54	57	59	61	63	65																		
2.0	19850	18700	17500	16150	15000	14100	13300	12600	12000	11450	10950															
	40	44	48	51	54	57	59	61	62	64	65															
2.5	16250	16250	15600	14700	13900	13200	12400	11750	11150	10650	10200	9800	9400													
	32	37	42	46	50	52	55	57	59	61	62	63	65													
3.0	13300	13300	13250	13250	12500	11900	11400	10900	10400	9900	9500	9100	8750	8450	8150	7850										
	21	29	35	41	45	48	51	53	55	57	59	61	62	63	64	65										
3.5	11450	11150	11150	11150	11100	10800	10300	9900	9500	9200	8800	8450	8150	7850	7600	7350	6950	6900								
	(3.4)	17	28	34	39	43	47	49	52	54	56	58	59	61	62	63	65	65								
4.0		10150	9550	9550	9550	9550	9400	9000	8650	8350	8100	7850	7550	7300	7050	6850	6500	6450	6300	6150						
		(3.8)	17	27	33	38	42	45	48	51	53	55	56	58	59	61	62	63	64	65						
5.0			8750	7700	7350	7300	7300	7300	7300	7100	6850	6600	6400	6250	6100	5950	5650	5600	5500	5400	5300	5200	5100	5050	4950	
			(4.3)	(4.8)	16	25	31	36	40	43	46	48	50	52	54	56	58	58	59	61	62	63	63	64	65	
6.0					6800	6100	5850	5850	5800	5800	5700	5550	5350	5200	5100	4900	4850	4800	4750	4650	4600	4550	4450	4400	4350	
					(5.3)	(5.8)	15	24	30	34	38	41	44	46	48	50	53	53	55	56	57	58	60	61	61	62
7.0							5450	4950	4750	4750	4750	4750	4750	4700	4550	4450	4250	4250	4200	4150	4100	4050	4000	3950	3900	3850
							(6.3)	(6.8)	14	23	28	33	36	39	42	44	48	48	50	52	53	54	56	57	58	59
8.0									4500	4100	3950	3950	3950	3950	3950	3900	3750	3750	3700	3650	3600	3600	3550	3500	3500	3450
									(7.3)	(7.8)	13	22	27	31	35	38	42	43	45	47	48	50	51	53	54	55
9.0											3750	3450	3350	3350	3350	3350	3350	3350	3300	3250	3200	3200	3150	3150	3100	3100
											(8.3)	(8.8)	13	21	26	30	35	36	39	41	43	45	47	48	50	51
10												3150	2950	2850	2850	2850	2850	2850	2900	2900	2900	2850	2850	2800	2800	2750
												(9.3)	(9.8)	12	20	28	29	32	35	38	40	42	44	45	47	
11															2700	2500	2450	2450	2500	2550	2550	2600	2550	2550	2500	2500
															(10.3)	(10.8)	17	19	24	28	31	34	37	39	41	42
12																	2200	2150	2150	2200	2250	2250	2300	2300	2300	2300
																	(11.6)	(11.8)	12	19	23	27	30	33	36	37
13																			2050	1950	1950	2000	2000	2050	2050	2100
																			(12.3)	(12.8)	11	18	23	27	30	32
14																					1850	1750	1750	1800	1800	1850
																					(13.3)	(13.8)	11	18	22	25
15																							1700	1600	1600	1650
																							(14.3)	(14.8)	10	16
15.71																									1550	1500
																									(15.3)	(15.7)

NOTE : WEIGHT OF HOOKS, BLOCKS & OTHER LOAD HANDLING DEVICES SHALL BE ADDED TO THE WEIGHT OF THE LOAD

MAC-25 RHINO HOOK LOAD CHART - 10 DEG

ROBWAY DUTY **12**

COUNTERWEIGHT ON REAR OF CRANE - SPRING LOCKOUTS ENGAGED

S.W.L. ARE BASED ON 66.7% STABILITY & STRENGTH

S.W.L IN KILOGRAMS FOR SLEW ANGLES OF 10 DEGREES OR LESS EITHER

- S.W.L. ABOVE BOLD RED LINE ARE STRUCTURAL

SIDE OF STRAIGHT AHEAD (INDICATED BY GREEN LED ON DASH).

S.W.L. ARE BASED ON FIRM LEVEL GROUND WITH TYRES INFLATED AS PER NOTES

BOOM ANGLE - UNDEFLECTED (REF.)

LIFT & CARRY - THE S.W.L. SHALL BE CARRIED WITH THE MINIMUM BOOM LENGTH & AS

NOTE : VALUES IN BRACKETS () ARE ACTUAL RADIUS AT ZERO DEG. BOOM ANGLE.

CLOSE TO THE GROUND AS POSSIBLE AT SPEEDS NOT IN EXCESS OF 0.4 M/SEC

Radius in Metres	BOOM PIVOT TO HOOK CENTRE - THIRD BOOM RETRACTED (metres)																THIRD BOOM EXTENDING (metres)										
	6.45	7.00	7.50	8.00	8.50	9.00	9.50	10.00	10.50	11.00	11.50	12.00	12.50	13.00	13.50	14.00	14.65	15.00	15.50	16.00	16.50	17.00	17.50	18.00	18.50	18.75	
1.4	15000	15000	15000	15000	15000	15000	15000																				
	51	55	58	60	62	64	65																				
2.0	15000	15000	15000	15000	15000	15000	15000	15000	15000	15000																	
	44	49	52	55	57	59	61	63	64	65																	
2.5	15000	15000	15000	15000	15000	15000	15000	15000	15000	15000	14200																
	37	43	47	50	53	56	58	59	61	63	64	65															
3.0	15000	15000	15000	15000	14950	14900	14900	14850	14850	14800	14800	13200	12750	12300													
	29	36	41	45	49	52	54	56	58	60	61	62	64	65													
3.5	12700	12700	12650	12650	12600	12600	12550	12550	12500	12500	12300	11850	11450	11150	10800												
	17	29	35	40	44	47	50	52	55	56	58	60	61	62	63	64											
4.0	11750	10900	10900	10900	10850	10850	10800	10800	10800	10750	10750	10750	10700	10400	10100	9750	9600	9450									
	(3.7)	18	28	34	39	43	46	49	51	53	55	57	58	60	61	62	63	64	65								
5.0		10050	8800	8400	8400	8400	8350	8350	8350	8300	8300	8300	8300	8250	8250	8250	8250	8250	8300	8200	8050	7900	7800	7700			
		(4.3)	(4.8)	16	26	32	37	40	44	46	49	51	53	54	56	57	59	60	61	62	63	64	65	65			
6.0				7800	7000	6750	6700	6700	6700	6700	6700	6650	6650	6650	6650	6650	6600	6650	6700	6700	6750	6800	6800	6850	6800	6650	
				(5.3)	(5.8)	15	24	30	35	38	42	44	47	49	51	52	54	55	57	58	59	60	61	62	63	63	
7.0						6300	5750	5550	5550	5500	5500	5500	5500	5500	5450	5450	5500	5550	5550	5600	5650	5650	5700	5700	5700	5700	
						(6.3)	(6.8)	15	23	29	33	37	40	42	45	47	49	50	52	53	55	56	57	58	59	60	
8.0									5200	4800	4650	4650	4650	4600	4600	4600	4600	4600	4600	4700	4700	4750	4800	4800	4850	4850	
									(7.3)	(7.8)	14	22	28	32	35	38	41	44	45	47	49	50	52	53	54	55	56
9.0										4400	4050	3950	3950	3950	3950	3900	3900	3950	4000	4000	4050	4050	4100	4150	4150	4150	
										(8.3)	(8.8)	13	21	27	31	34	38	39	42	44	46	47	49	50	51	52	
10												3750	3450	3350	3350	3350	3350	3400	3450	3450	3500	3550	3550	3600	3600	3600	
												(9.3)	(9.8)	13	20	26	31	33	36	38	40	42	44	46	47	48	
11														3200	3000	2900	2900	2950	3000	3000	3050	3100	3100	3150	3150	3150	
														(10.3)	(10.8)	12	21	25	29	32	35	37	39	41	43	44	
12																2800	2550	2550	2600	2650	2700	2700	2750	2750	2800	2800	
																(11.3)	(11.9)	12	19	24	28	31	34	36	38	39	
13																		2450	2350	2300	2350	2400	2400	2450	2450	2500	
																		(12.3)	(12.8)	12	18	23	27	30	33	34	
14																				2200	2100	2100	2150	2150	2200	2200	
																				(13.3)	(13.8)	11	18	23	26	28	
15																						2000	1950	1950	1950	1950	
																						(14.3)	(14.8)	11	17	20	
16																								1850	1750	1750	
																								(15.3)	(15.8)	(16.)	

NOTE : WEIGHT OF HOOKS, BLOCKS & OTHER
LOAD HANDLING DEVICES SHALL BE ADDED
TO THE WEIGHT OF THE LOAD

MAC-25 RHINO HOOK LOAD CHART - 40 DEG

ROBWAY DUTY **12**

COUNTERWEIGHT ON REAR OF CRANE - SPRING LOCKOUTS ENGAGED

S.W.L. ARE BASED ON 66.7% STABILITY & STRENGTH

S.W.L IN KILOGRAMS FOR SLEW ANGLES OF GREATER THAN 10 DEGREES UP TO 40 DEGREES EITHER SIDE OF STRAIGHT AHEAD (INDICATED BY RED LED ON DASH).

- S.W.L. ABOVE BOLD RED LINE ARE STRUCTURAL

BOOM ANGLE - UNDEFLECTED (REF.)

S.W.L. ARE BASED ON FIRM LEVEL GROUND WITH TYRES INFLATED AS PER NOTES

LIFT & CARRY - THE S.W.L. SHALL BE CARRIED WITH THE MINIMUM BOOM LENGTH & AS

NOTE : VALUES IN BRACKETS () ARE ACTUAL RADIUS AT ZERO DEG. BOOM ANGLE.

CLOSE TO THE GROUND AS POSSIBLE AT SPEEDS NOT IN EXCESS OF 0.4 M/SEC

Radius in Metres	BOOM PIVOT TO HOOK CENTRE - THIRD BOOM RETRACTED (metres)																THIRD BOOM EXTENDING (metres)										
	6.45	7.00	7.50	8.00	8.50	9.00	9.50	10.00	10.50	11.00	11.50	12.00	12.50	13.00	13.50	14.00	14.65	15.00	15.50	16.00	16.50	17.00	17.50	18.00	18.50	18.75	
1.4	15000	15000	15000	15000	15000	14500	13800																				
	51	55	58	60	62	64	65																				
2.0	15000	15000	15000	15000	14200	13400	12700	12100	11550	11050																	
	44	49	52	55	57	59	61	63	64	65																	
2.5	15000	15000	14850	14050	13300	12500	11850	11250	10750	10300	9850	9500															
	37	43	47	50	53	56	58	59	61	63	64	65															
3.0	13500	13450	13400	12650	12050	11500	11050	10500	10000	9550	9150	8800	8500	8200													
	29	36	41	45	49	52	54	56	58	60	61	62	64	65													
3.5	11350	11300	11300	11250	10900	10400	10000	9600	9300	8900	8550	8200	7900	7650	7400	7150											
	17	29	35	40	44	47	50	52	55	56	58	60	61	62	63	64											
4.0	10450	9700	9700	9700	9650	9500	9100	8750	8450	8200	7900	7650	7350	7100	6900	6650	6400	6300	6200								
	(3.7)	18	28	34	39	43	46	49	51	53	55	57	58	60	61	62	63	64	65								
5.0		8900	7800	7450	7450	7400	7400	7400	7150	6900	6700	6500	6300	6150	6000	5800	5600	5500	5400	5300	5200	5150	5050	4950			
		(4.3)	(4.8)	16	26	32	37	40	44	46	49	51	53	54	56	57	59	60	61	62	63	64	65	65			
6.0				6900	6150	5900	5900	5900	5900	5900	5750	5600	5450	5300	5150	5000	4850	4850	4750	4700	4600	4550	4450	4400	4350	4300	
				(5.3)	(5.8)	15	24	30	35	38	42	44	47	49	51	52	54	55	57	58	59	60	61	62	63	63	
7.0						5550	5000	4850	4850	4800	4800	4750	4600	4500	4350	4250	4200	4150	4100	4050	4000	4000	3900	3850	3850		
						(6.3)	(6.8)	15	23	29	33	37	40	42	45	47	49	50	52	53	55	56	57	58	59	60	
8.0								4550	4150	4000	4000	4000	4000	4000	3950	3850	3750	3700	3650	3650	3600	3550	3500	3500	3450	3450	
								(7.3)	(7.8)	14	22	28	32	35	38	41	44	45	47	49	50	52	53	54	55	56	
9.0										3800	3500	3400	3400	3400	3400	3400	3300	3300	3250	3250	3200	3150	3150	3100	3100	3050	
										(8.3)	(8.8)	13	21	27	31	34	38	39	42	44	46	47	49	50	51	52	
10												3200	2950	2900	2900	2900	2900	2900	2950	2900	2850	2850	2800	2800	2750	2750	
												(9.3)	(9.8)	13	20	26	31	33	36	38	40	42	44	46	47	48	
11															2750	2550	2450	2500	2500	2550	2600	2600	2550	2550	2500	2500	
															(10.3)	(10.8)	12	21	25	29	32	35	37	39	41	43	44
12																	2350	2150	2150	2200	2250	2250	2300	2300	2300	2250	
																	(11.3)	(11.9)	12	19	24	28	31	34	36	38	39
13																		2050	1950	1950	2000	2000	2050	2050	2100	2100	
																		(12.3)	(12.8)	12	18	23	27	30	33	34	
14																				1850	1750	1750	1800	1800	1850	1850	
																				(13.3)	(13.8)	11	18	23	26	28	
15																						1700	1600	1600	1650	1650	
																						(14.3)	(14.8)	11	17	20	
16																								1550	1450	1450	
																								(15.3)	(15.8)	(16.)	

NOTE : WEIGHT OF HOOKS, BLOCKS & OTHER LOAD HANDLING DEVICES SHALL BE ADDED TO THE WEIGHT OF THE LOAD

MAC-25 OFFSET HEAD BOTTOM POSITION LOAD CHART - 10 DEG

ROBWAY DUTY **13**

COUNTERWEIGHT ON REAR OF CRANE - SPRING LOCKOUTS ENGAGED

S.W.L. ARE BASED ON 66.7% STABILITY & STRENGTH

Yellow S.W.L IN KILOGRAMS FOR SLEW ANGLES OF 10 DEGREES OR LESS EITHER

- S.W.L. ABOVE BOLD RED LINE ARE STRUCTURAL

White SIDE OF STRAIGHT AHEAD (INDICATED BY GREEN LED ON DASH).

S.W.L. ARE BASED ON FIRM LEVEL GROUND WITH TYRES INFLATED AS PER NOTES

White BOOM ANGLE - UNDEFLECTED (REF.)

LIFT & CARRY - THE S.W.L. SHALL BE CARRIED WITH THE MINIMUM BOOM LENGTH & AS

NOTE : VALUES IN BRACKETS () ARE ACTUAL RADIUS AT ZERO DEG. BOOM ANGLE.

CLOSE TO THE GROUND AS POSSIBLE AT SPEEDS NOT IN EXCESS OF 0.4 M/SEC

Radius in Metres	BOOM PIVOT TO EDGE OF SHEAVE - THIRD BOOM RETRACTED (metres)																		THIRD BOOM EXTENDING (metres)								
	6.86	7.00	7.50	8.00	8.50	9.00	9.50	10.00	10.50	11.00	11.50	12.00	12.50	13.00	13.50	14.00	14.50	15.06	15.50	16.00	16.50	17.00	17.50	18.00	18.50	19.16	
1.4	8400	8400	8400	8400	8400	8400																					
	55	56	59	61	63	65																					
2.0	8400	8400	8400	8400	8400	8400	8400	8400	8400																		
	49	50	53	56	58	60	62	64	65																		
2.5	8400	8400	8400	8400	8400	8400	8400	8400	8400	8400	8400																
	43	44	48	51	54	56	58	60	62	63	65																
3.0	8400	8400	8400	8400	8400	8400	8400	8400	8400	8400	8400	8400	8400	8400													
	36	38	43	46	50	52	55	57	59	60	62	63	64	65													
3.5	8400	8400	8400	8400	8400	8400	8400	8400	8400	8400	8400	8400	8400	8400	8400												
	27	30	36	41	45	48	51	53	55	57	59	60	62	63	64	65											
4.0	8400	8400	8400	8400	8400	8400	8400	8400	8400	8400	8400	8400	8400	8400	8400	8400	8400										
	(4.2)	19	29	35	40	44	47	50	52	54	56	58	59	60	62	63	64	65									
5.0	8400	8400	8400	8400	8400	8400	8400	8400	8400	8400	8400	8400	8400	8400	8350	8350	8350	8350	8350	8350	8250	8100	8000				
	(4.3)	(4.8)	18	27	33	38	41	44	47	49	52	53	55	57	58	59	61	61	62	63	64	65					
6.0				7950	7100	6850	6850	6850	6800	6800	6800	6750	6750	6750	6750	6700	6700	6700	6750	6750	6800	6850	6850	6900	6500	5850	
			(5.3)	(5.8)	17	25	31	36	39	42	45	47	49	51	53	54	56	57	58	59	60	61	62	63	64		
7.0					6400	5800	5650	5650	5600	5600	5600	5600	5600	5550	5550	5550	5550	5550	5600	5650	5650	5700	5700	5750	5800		
					(6.3)	(6.8)	16	24	30	34	37	40	43	45	47	49	51	52	54	55	56	57	59	59	61		
8.0								5300	4850	4700	4700	4700	4700	4700	4700	4700	4650	4650	4700	4750	4750	4800	4800	4850	4850	4900	
								(7.3)	(7.8)	15	23	28	33	36	39	41	44	46	48	49	51	52	53	55	56	57	
9.0										4450	4100	4000	4000	4000	4000	4000	4000	4000	4050	4050	4100	4150	4150	4200	4200		
										(8.3)	(8.8)	14	22	27	31	35	37	40	42	44	46	48	49	51	52	53	
10												3800	3550	3450	3450	3450	3450	3450	3500	3550	3550	3600	3600	3650	3650		
												(9.3)	(9.8)	14	21	26	30	34	36	39	41	43	45	46	48	50	
11															3300	3050	3000	3000	3000	3000	3100	3100	3150	3150	3200	3200	
															(10.3)	(10.8)	13	20	26	29	32	35	37	40	42	43	45
12																	2850	2650	2600	2650	2650	2700	2750	2750	2800	2800	2850
																	(11.3)	(11.8)	14	20	24	28	31	34	36	39	41
13																		2450	2350	2350	2350	2400	2450	2450	2500	2500	
																		(12.4)	(12.8)	12	19	24	27	30	33	36	
14																					2250	2150	2100	2150	2200	2250	
																					(13.3)	(13.8)	12	18	23	27	30
15																							2050	1950	1950	1950	2000
																							(14.3)	(14.8)	12	18	24
16.4																									1850	1800	1700
																									(15.3)	(15.8)	(16.4)

MAC-25 OFFSET HEAD BOTTOM POSITION LOAD CHART - 40 DEG

ROBWAY DUTY **13**

COUNTERWEIGHT ON REAR OF CRANE - SPRING LOCKOUTS ENGAGED

S.W.L. ARE BASED ON 66.7% STABILITY & STRENGTH



S.W.L. IN KILOGRAMS FOR SLEW ANGLES OF GREATER THAN 10 DEGREES UP TO 40 DEGREES EITHER SIDE OF STRAIGHT AHEAD (INDICATED BY RED LED ON DASH).

- S.W.L. ABOVE BOLD RED LINE ARE STRUCTURAL



BOOM ANGLE - UNDEFLECTED (REF.)

S.W.L. ARE BASED ON FIRM LEVEL GROUND WITH TYRES INFLATED AS PER NOTES

LIFT & CARRY - THE S.W.L. SHALL BE CARRIED WITH THE MINIMUM BOOM LENGTH & AS

NOTE : VALUES IN BRACKETS () ARE ACTUAL RADIUS AT ZERO DEG. BOOM ANGLE.

CLOSE TO THE GROUND AS POSSIBLE AT SPEEDS NOT IN EXCESS OF 0.4 M/SEC

Radius in Metres	BOOM PIVOT TO EDGE OF SHEAVE - THIRD BOOM RETRACTED (metres)															THIRD BOOM EXTENDING (metres)										
	6.86	7.00	7.50	8.00	8.50	9.00	9.50	10.00	10.50	11.00	11.50	12.00	12.50	13.00	13.50	14.00	14.50	15.06	15.50	16.00	16.50	17.00	17.50	18.00	18.50	19.16
1.4	8400	8400	8400	8400	8400	8400																				
	55	56	59	61	63	65																				
2.0	8400	8400	8400	8400	8400	8400	8400	8400	8400																	
	49	50	53	56	58	60	62	64	65																	
2.5	8400	8400	8400	8400	8400	8400	8400	8400	8400	8400	8400															
	43	44	48	51	54	56	58	60	62	63	65															
3.0	8400	8400	8400	8400	8400	8400	8400	8400	8400	8400	8400	8400	8300													
	36	38	43	46	50	52	55	57	59	60	62	63	64	65												
3.5	8400	8400	8400	8400	8400	8400	8400	8400	8400	8400	8400	8300	8000	7750	7500	7250										
	27	30	36	41	45	48	51	53	55	57	59	60	62	63	64	65										
4.0	8400	8400	8400	8400	8400	8400	8400	8400	8400	8300	8050	7750	7450	7200	7000	6750	6550	6350								
	(4.2)	19	29	35	40	44	47	50	52	54	56	58	59	60	62	63	64	65								
5.0		8400	7950	7600	7550	7550	7500	7300	7050	6800	6600	6400	6250	6100	5900	5750	5550	5450	5350	5250	5150	5050				
		(4.3)	(4.8)	18	27	33	38	41	44	47	49	52	53	55	57	58	59	61	61	62	63	64	65			
6.0				7050	6300	6050	6050	6000	6000	6000	5900	5700	5550	5350	5250	5100	5000	4850	4800	4700	4650	4550	4500	4450	4350	4300
				(5.3)	(5.8)	17	25	31	36	39	42	45	47	49	51	53	54	56	57	58	59	60	61	62	63	64
7.0					5650	5100	4950	4950	4950	4900	4850	4700	4550	4450	4350	4250	4200	4150	4100	4050	4000	3950	3900	3850		
					(6.3)	(6.8)	16	24	30	34	37	40	43	45	47	49	51	52	54	55	56	57	59	59	61	
8.0							4650	4250	4100	4100	4100	4100	4100	4050	3950	3850	3750	3700	3650	3600	3600	3550	3500	3500	3450	
							(7.3)	(7.8)	15	23	28	33	36	39	41	44	46	48	49	51	52	53	55	56	57	
9.0									3900	3550	3450	3450	3450	3450	3450	3400	3300	3300	3250	3200	3200	3150	3150	3100	3050	
									(8.3)	(8.8)	14	22	27	31	35	37	40	42	44	46	48	49	51	52	53	
10										3300	3050	2950	2950	2950	2950	2950	2950	2900	2900	2850	2850	2800	2800	2750		
										(9.3)	(9.8)	14	21	26	30	34	36	39	41	43	45	46	48	50		
11												2800	2600	2550	2550	2550	2550	2600	2600	2600	2600	2550	2550	2550	2500	
												(10.3)	(10.8)	13	20	26	29	32	35	37	40	42	43	45		
12															2400	2250	2200	2200	2250	2300	2300	2350	2300	2300	2300	
															(11.3)	(11.8)	14	20	24	28	31	34	36	39	41	
13																2050	1950	1950	2000	2050	2050	2100	2100	2100	2100	
																(12.4)	(12.8)	12	19	24	27	30	33	36		
14																		1850	1800	1800	1800	1850	1850	1850	1900	
																		(13.3)	(13.8)	12	18	23	27	30		
15																			1700	1600	1600	1650	1650	1700		
																				(14.3)	(14.8)	12	18	24		
16.4																							1550	1500	1400	
																							(15.3)	(15.8)	(16.4)	

MAC-25 OFFSET HEAD TOP POSITION LOAD CHART - 10 DEG

ROBWAY DUTY **14**

COUNTERWEIGHT ON REAR OF CRANE - SPRING LOCKOUTS ENGAGED

S.W.L. ARE BASED ON 66.7% STABILITY & STRENGTH

8400 S.W.L IN KILOGRAMS FOR SLEW ANGLES OF 10 DEGREES OR LESS EITHER

- S.W.L. ABOVE BOLD RED LINE ARE STRUCTURAL

8400 SIDE OF STRAIGHT AHEAD (INDICATED BY GREEN LED ON DASH).

S.W.L. ARE BASED ON FIRM LEVEL GROUND WITH TYRES INFLATED AS PER NOTES

8400 BOOM ANGLE - UNDEFLECTED (REF.)

LIFT & CARRY - THE S.W.L. SHALL BE CARRIED WITH THE MINIMUM BOOM LENGTH & AS

NOTE : VALUES IN BRACKETS () ARE ACTUAL RADIUS AT ZERO DEG. BOOM ANGLE.

CLOSE TO THE GROUND AS POSSIBLE AT SPEEDS NOT IN EXCESS OF 0.4 M/SEC

Radius in Metres	BOOM PIVOT TO EDGE OF SHEAVE - THIRD BOOM RETRACTED (metres)																		THIRD BOOM EXTENDING (metres)							
	6.82	7.00	7.50	8.00	8.50	9.00	9.50	10.00	10.50	11.00	11.50	12.00	12.50	13.00	13.50	14.00	14.50	15.02	15.50	16.00	16.50	17.00	17.50	18.00	18.50	19.12
1.4	8400	8400	8400	8400	8400	8400	8400																			
	52	53	56	58	60	62	64																			
2.0	8400	8400	8400	8400	8400	8400	8400	8400	8400	8400																
	45	47	50	53	56	58	60	61	63	64																
2.5	8400	8400	8400	8400	8400	8400	8400	8400	8400	8400	8400	8400														
	39	41	45	49	52	54	56	58	60	61	63	64														
3.0	8400	8400	8400	8400	8400	8400	8400	8400	8400	8400	8400	8400	8400	8400	8400											
	32	34	40	44	47	50	53	55	57	58	60	61	63	64	65											
3.5	8400	8400	8400	8400	8400	8400	8400	8400	8400	8400	8400	8400	8400	8400	8400	8400	8400									
	24	27	33	38	42	46	49	51	53	55	57	59	60	61	62	63	64									
4.0	8400	8400	8400	8400	8400	8400	8400	8400	8400	8400	8400	8400	8400	8400	8400	8400	8400	8400	8400							
	(4.1)	16	26	32	37	41	45	47	50	52	54	56	57	59	60	61	62	63	64							
5.0	8400	8400	8400	8400	8400	8400	8400	8400	8400	8350	8350	8300	8300	8300	8250	8250	8250	8250	8250	8300	8300	8200	8050	7950		
	(4.3)	(4.8)	15	24	30	35	39	42	45	48	50	52	53	55	56	58	59	60	61	62	63	64	65			
6.0			7950	7100	6800	6800	6800	6750	6750	6700	6700	6700	6700	6650	6650	6650	6600	6650	6700	6750	6750	6800	6800	6850	6300	
			(5.3)	(5.8)	14	23	29	34	37	40	43	46	48	50	51	53	54	56	57	58	59	60	61	62	63	
7.0					6400	5800	5600	5600	5550	5550	5550	5550	5500	5500	5500	5450	5500	5550	5550	5600	5650	5650	5700	5700		
					(6.3)	(6.8)	14	22	28	32	36	39	41	44	46	48	50	51	53	54	55	56	57	58	59	
8.0							5300	4850	4700	4700	4650	4650	4650	4650	4650	4600	4600	4650	4700	4700	4750	4750	4800	4800	4850	
							(7.3)	(7.8)	13	21	27	31	34	37	40	42	44	46	48	49	51	52	53	55	56	
9.0									4450	4100	4000	4000	3950	3950	3950	3950	3950	3950	4000	4050	4050	4100	4100	4150	4150	
									(8.3)	(8.8)	12	20	25	30	33	36	39	41	43	45	46	48	49	51	52	
10											3800	3500	3400	3400	3400	3400	3450	3450	3500	3500	3550	3550	3600	3650		
											(9.3)	(9.8)	12	19	25	29	32	35	37	40	42	43	45	47	48	
11														3250	3050	2950	2950	2950	3000	3000	3050	3100	3100	3150	3200	
														(10.3)	(10.8)	12	19	24	28	31	34	36	38	40	42	44
12																2850	2650	2550	2600	2650	2700	2700	2750	2750	2800	2800
																(11.3)	(11.8)	12	18	23	27	30	33	35	37	40
13																	2450	2350	2350	2350	2400	2400	2450	2450	2500	
																(12.3)	(12.8)	11	18	22	26	29	32	35		
14																			2250	2150	2100	2150	2150	2200	2200	
																			(13.3)	(13.8)	11	17	22	25	29	
15																					2050	1950	1950	1950	2000	
																					(14.3)	(14.8)	10	17	22	
16.45																							1850	1800	1700	
																							(15.3)	(15.8)	(16.5)	

MAC-25 OFFSET HEAD TOP POSITION LOAD CHART - 40 DEG

ROBWAY DUTY **14**

COUNTERWEIGHT ON REAR OF CRANE - SPRING LOCKOUTS ENGAGED

S.W.L. ARE BASED ON 66.7% STABILITY & STRENGTH

S.W.L IN KILOGRAMS FOR SLEW ANGLES OF GREATER THAN 10 DEGREES UP TO 40 DEGREES EITHER SIDE OF STRAIGHT AHEAD (INDICATED BY RED LED ON DASH).

- S.W.L. ABOVE BOLD RED LINE ARE STRUCTURAL

BOOM ANGLE - UNDEFLECTED (REF.)

S.W.L. ARE BASED ON FIRM LEVEL GROUND WITH TYRES INFLATED AS PER NOTES
LIFT & CARRY - THE S.W.L. SHALL BE CARRIED WITH THE MINIMUM BOOM LENGTH & AS CLOSE TO THE GROUND AS POSSIBLE AT SPEEDS NOT IN EXCESS OF 0.4 M/SEC

NOTE : VALUES IN BRACKETS () ARE ACTUAL RADIUS AT ZERO DEG. BOOM ANGLE.

Radius in Metres	BOOM PIVOT TO EDGE OF SHEAVE - THIRD BOOM RETRACTED (metres)																	THIRD BOOM EXTENDING (metres)									
	6.82	7.00	7.50	8.00	8.50	9.00	9.50	10.00	10.50	11.00	11.50	12.00	12.50	13.00	13.50	14.00	14.50	15.02	15.50	16.00	16.50	17.00	17.50	18.00	18.50	19.12	
1.4	8400	8400	8400	8400	8400	8400	8400																				
	52	53	56	58	60	62	64																				
2.0	8400	8400	8400	8400	8400	8400	8400	8400	8400	8400																	
	45	47	50	53	56	58	60	61	63	64																	
2.5	8400	8400	8400	8400	8400	8400	8400	8400	8400	8400	8400																
	39	41	45	49	52	54	56	58	60	61	63	64															
3.0	8400	8400	8400	8400	8400	8400	8400	8400	8400	8400	8400	8400	8400	8250	7950												
	32	34	40	44	47	50	53	55	57	58	60	61	63	64	65												
3.5	8400	8400	8400	8400	8400	8400	8400	8400	8400	8400	8400	8250	7950	7650	7400	7200	6950										
	24	27	33	38	42	46	49	51	53	55	57	59	60	61	62	63	64										
4.0	8400	8400	8400	8400	8400	8400	8400	8400	8400	8250	7950	7700	7400	7150	6900	6700	6500	6300	6150								
	(4.1)	16	26	32	37	41	45	47	50	52	54	56	57	59	60	61	62	63	64								
5.0		8400	7900	7550	7500	7500	7450	7450	7200	6950	6750	6550	6350	6200	6000	5850	5700	5500	5400	5300	5200	5100	5050	4950			
		(4.3)	(4.8)	15	24	30	35	39	42	45	48	50	52	53	55	56	58	59	60	61	62	63	64	65			
6.0				7000	6250	6000	6000	5950	5950	5950	5850	5650	5450	5300	5200	5050	4950	4800	4750	4700	4600	4550	4450	4400	4300	4250	
				(5.3)	(5.8)	14	23	29	34	37	40	43	46	48	50	51	53	54	56	57	58	59	60	61	62	63	
7.0						5650	5100	4900	4900	4850	4850	4800	4650	4550	4400	4300	4200	4150	4100	4050	4000	3950	3900	3850	3800		
						(6.3)	(6.8)	14	22	28	32	36	39	41	44	46	48	50	51	53	54	55	56	57	58	59	
8.0								4650	4250	4100	4100	4050	4050	4050	4000	3900	3800	3700	3650	3600	3600	3550	3500	3500	3450	3400	
								(7.3)	(7.8)	13	21	27	31	34	37	40	42	44	46	48	49	51	52	53	55	56	
9.0										3900	3550	3450	3450	3450	3400	3400	3400	3300	3250	3200	3200	3150	3150	3100	3100	3050	
										(8.3)	(8.8)	12	20	25	30	33	36	39	41	43	45	46	48	49	51	52	
10												3300	3050	2950	2950	2900	2900	2900	2950	2900	2850	2850	2800	2800	2750	2750	
												(9.3)	(9.8)	12	19	25	29	32	35	37	40	42	43	45	47	48	
11															2800	2600	2500	2500	2500	2550	2600	2600	2550	2550	2500	2500	
															(10.3)	(10.8)	12	19	24	28	31	34	36	38	40	42	44
12																	2400	2250	2150	2200	2250	2250	2300	2350	2300	2300	2250
																	(11.3)	(11.8)	12	18	23	27	30	33	35	37	40
13																		2050	1950	1950	2000	2000	2050	2050	2100	2050	
																	(12.3)	(12.8)	11	18	22	26	29	32	35		
14																				1850	1800	1750	1800	1800	1850	1900	
																				(13.3)	(13.8)	11	17	22	25	29	
15																						1700	1600	1600	1650	1650	
																						(14.3)	(14.8)	10	17	22	
16.45																								1550	1500	1400	
																								(15.3)	(15.8)	(16.5)	

MAC-25 4m FLYJIB BOTTOM POSITION LOAD CHART - 10 DEG

ROBWAY DUTY **15**

COUNTERWEIGHT ON REAR OF CRANE - SPRING LOCKOUTS ENGAGED

S.W.L. ARE BASED ON 66.7% STABILITY & STRENGTH

Yellow S.W.L IN KILOGRAMS FOR SLEW ANGLES OF 10 DEGREES OR LESS EITHER

- S.W.L. ABOVE BOLD RED LINE ARE STRUCTURAL

White SIDE OF STRAIGHT AHEAD (INDICATED BY GREEN LED ON DASH).

S.W.L. ARE BASED ON FIRM LEVEL GROUND WITH TYRES INFLATED AS PER NOTES

White BOOM ANGLE - UNDEFLECTED (REF.)

LIFT & CARRY - THE S.W.L. SHALL BE CARRIED WITH THE MINIMUM BOOM LENGTH & AS

NOTE : VALUES IN BRACKETS () ARE ACTUAL RADIUS AT ZERO DEG. BOOM ANGLE.

CLOSE TO THE GROUND AS POSSIBLE AT SPEEDS NOT IN EXCESS OF 0.4 M/SEC

Radius in Metres	BOOM PIVOT TO EDGE OF SHEAVE - THIRD BOOM RETRACTED (metres)																	THIRD BOOM EXTENDING (metres)									
	10.11	10.50	11.00	11.50	12.00	12.50	13.00	13.50	14.00	14.50	15.00	15.50	16.00	16.50	17.00	17.50	18.00	18.31	19.00	19.50	20.00	20.50	21.00	21.50	22.00	22.41	
2.6	700																										
	65																										
3.0	700	700	700																								
	62	64	65																								
3.5	600	600	700	700	700																						
	59	60	62	63	65																						
4.0	600	600	600	600	700	700	700	700																			
	55	57	59	60	62	63	64	65																			
5.0	600	600	600	600	600	600	600	600	700	700	700	700															
	47	49	52	54	56	58	59	60	62	63	64	65															
6.0	500	600	600	600	600	600	600	600	600	600	600	600	700	700	700	700	700										
	38	41	44	47	49	52	53	55	57	58	59	60	61	62	63	64	65										
7.0	500	500	500	500	600	600	600	600	600	600	600	600	600	600	600	600	700	700	700	700	700	700					
	24	29	35	39	42	45	47	49	51	53	54	56	57	58	59	60	61	62	63	64	65	65					
8.0	500	500	500	500	500	500	500	600	600	600	600	600	600	600	600	600	600	600	600	600	700	700	700	700	700	700	700
	(7.4)	(7.8)	20	28	33	37	40	43	45	47	49	51	52	54	55	56	58	58	60	60	61	62	63	64	64	65	
9.0			500	500	500	500	500	500	500	600	600	600	600	600	600	600	600	600	600	600	600	600	600	600	600	700	700
			(8.3)	(8.8)	19	26	31	35	38	41	44	46	47	49	51	52	53	54	56	57	58	59	60	60	61	62	
10.0					500	500	500	500	500	500	500	500	600	600	600	600	600	600	600	600	600	600	600	600	600	600	600
					(9.3)	(9.8)	18	25	30	34	37	40	42	44	46	48	49	50	52	53	54	55	56	57	58	59	
11.0							500	500	500	500	500	500	500	500	600	600	600	600	600	600	600	600	600	600	600	600	600
							(10.3)	(10.8)	17	24	29	33	36	38	41	43	44	46	48	49	50	52	53	54	55	56	
12									500	500	500	500	500	500	500	500	500	600	600	600	600	600	600	600	600	600	600
									(11.3)	(11.8)	17	23	28	31	34	37	39	41	43	45	46	48	49	50	51	52	
13											500	500	500	500	500	500	500	500	500	500	600	600	600	600	600	600	600
											(12.3)	(12.8)	16	22	27	30	33	35	38	40	42	44	45	47	48	49	
14													500	500	500	500	500	500	500	500	500	500	600	600	600	600	600
													(13.3)	(13.8)	15	22	26	28	32	35	37	39	41	42	44	45	
15															500	500	500	500	500	500	500	500	500	500	500	600	600
															(14.3)	(14.8)	15	19	25	29	31	34	36	38	40	41	
16																	500	500	500	500	500	500	500	500	500	500	500
																	(15.3)	(15.6)	14	20	24	28	31	33	35	37	
18																			500	500	500	500	500	500	500	500	500
																			(16.3)	(16.8)	(17.3)	(17.8)	14	19	23	26	
19.7																									500	500	500
																									(18.3)	(18.8)	(19.7)

NOTE : WEIGHT OF HOOKS, BLOCKS & OTHER LOAD HANDLING DEVICES SHALL BE ADDED TO THE WEIGHT OF THE LOAD

MAC-25 4m FLYJIB BOTTOM POSITION LOAD CHART - 40 DEG

ROBWAY DUTY **15**

COUNTERWEIGHT ON REAR OF CRANE - SPRING LOCKOUTS ENGAGED



S.W.L IN KILOGRAMS FOR SLEW ANGLES OF GREATER THAN 10 DEGREES UP TO 40



DEGREES EITHER SIDE OF STRAIGHT AHEAD (INDICATED BY RED LED ON DASH).

BOOM ANGLE - UNDEFLECTED (REF.)

NOTE : VALUES IN BRACKETS () ARE ACTUAL RADIUS AT ZERO DEG. BOOM ANGLE.

S.W.L. ARE BASED ON 66.7% STABILITY & STRENGTH

- S.W.L. ABOVE BOLD RED LINE ARE STRUCTURAL

S.W.L. ARE BASED ON FIRM LEVEL GROUND WITH TYRES INFLATED AS PER NOTES

LIFT & CARRY - THE S.W.L. SHALL BE CARRIED WITH THE MINIMUM BOOM LENGTH & AS

CLOSE TO THE GROUND AS POSSIBLE AT SPEEDS NOT IN EXCESS OF 0.4 M/SEC

Radius in Metres	BOOM PIVOT TO EDGE OF SHEAVE - THIRD BOOM RETRACTED (metres)																	THIRD BOOM EXTENDING (metres)										
	10.11	10.50	11.00	11.50	12.00	12.50	13.00	13.50	14.00	14.50	15.00	15.50	16.00	16.50	17.00	17.50	18.00	18.31	19.00	19.50	20.00	20.50	21.00	21.50	22.00	22.41		
2.6	700																											
	65																											
3.0	700	700	700																									
	62	64	65																									
3.5	600	600	700	700	700																							
	59	60	62	63	65																							
4.0	600	600	600	600	700	700	700	700																				
	55	57	59	60	62	63	64	65																				
5.0	600	600	600	600	600	600	600	600	700	700	700	700																
	47	49	52	54	56	58	59	60	62	63	64	65																
6.0	500	600	600	600	600	600	600	600	600	600	600	600	700	700	700	700	700											
	38	41	44	47	49	52	53	55	57	58	59	60	61	62	63	64	65											
7.0	500	500	500	500	600	600	600	600	600	600	600	600	600	600	600	600	700	700	700	700	700	700						
	24	29	35	39	42	45	47	49	51	53	54	56	57	58	59	60	61	62	63	64	65	65						
8.0	500	500	500	500	500	500	500	600	600	600	600	600	600	600	600	600	600	600	600	600	700	700	700	700	700	700	700	
	(7.4)	(7.8)	20	28	33	37	40	43	45	47	49	51	52	54	55	56	58	58	60	60	61	62	63	64	64	65		
9.0			500	500	500	500	500	500	500	600	600	600	600	600	600	600	600	600	600	600	600	600	600	600	600	600	600	
			(8.3)	(8.8)	19	26	31	35	38	41	44	46	47	49	51	52	53	54	56	57	58	59	60	60	61	62		
10.0					500	500	500	500	500	500	500	500	600	600	600	600	600	600	600	600	600	600	600	600	600	600	600	
					(9.3)	(9.8)	18	25	30	34	37	40	42	44	46	48	49	50	52	53	54	55	56	57	58	59		
11.0							500	500	500	500	500	500	500	500	600	600	600	600	600	600	600	600	600	600	600	600	600	
							(10.3)	(10.8)	17	24	29	33	36	38	41	43	44	46	48	49	50	52	53	54	55	56		
12									500	500	500	500	500	500	500	500	500	600	600	600	600	600	600	600	600	600	600	
									(11.3)	(11.8)	17	23	28	31	34	37	39	41	43	45	46	48	49	50	51	52		
13											500	500	500	500	500	500	500	500	500	500	600	600	600	600	600	600	600	
											(12.3)	(12.8)	16	22	27	30	33	35	38	40	42	44	45	47	48	49		
14													500	500	500	500	500	500	500	500	500	500	600	600	600	600	600	
													(13.3)	(13.8)	15	22	26	28	32	35	37	39	41	42	44	45		
15															500	500	500	500	500	500	500	500	500	500	500	600	600	
															(14.3)	(14.8)	15	19	25	29	31	34	36	38	40	41		
16																	500	500	500	500	500	500	500	500	500	500	500	
																	(15.3)	(15.6)	14	20	24	28	31	33	35	37		
18																					500	500	500	500	500	500	500	
																					(16.3)	(16.8)	(17.3)	(17.8)	14	19	23	26
19.7																										500	500	500
																										(18.3)	(18.8)	(19.7)

NOTE : WEIGHT OF HOOKS, BLOCKS & OTHER
LOAD HANDLING DEVICES SHALL BE ADDED
TO THE WEIGHT OF THE LOAD

MAC-25 4m FLYJIB TOP POSITION LOAD CHART - 10 DEG

ROBWAY DUTY **16**

COUNTERWEIGHT ON REAR OF CRANE - SPRING LOCKOUTS ENGAGED



S.W.L IN KILOGRAMS FOR SLEW ANGLES OF 10 DEGREES OR LESS EITHER



SIDE OF STRAIGHT AHEAD (INDICATED BY GREEN LED ON DASH).

BOOM ANGLE - UNDEFLECTED (REF.)

NOTE : VALUES IN BRACKETS () ARE ACTUAL RADIUS AT ZERO DEG. BOOM ANGLE.

S.W.L. ARE BASED ON 66.7% STABILITY & STRENGTH

- S.W.L. ABOVE BOLD RED LINE ARE STRUCTURAL

S.W.L. ARE BASED ON FIRM LEVEL GROUND WITH TYRES INFLATED AS PER NOTES

LIFT & CARRY - THE S.W.L. SHALL BE CARRIED WITH THE MINIMUM BOOM LENGTH & AS

CLOSE TO THE GROUND AS POSSIBLE AT SPEEDS NOT IN EXCESS OF 0.4 M/SEC

Radius in Metres	BOOM PIVOT TO EDGE OF SHEAVE - THIRD BOOM RETRACTED (metres)																	THIRD BOOM EXTENDING (metres)									
	10.18	10.50	11.00	11.50	12.00	12.50	13.00	13.50	14.00	14.50	15.00	15.50	16.00	16.50	17.00	17.50	18.00	18.38	19.00	19.50	20.00	20.50	21.00	21.50	22.00	22.48	
1.6	700																										
	65																										
2.0	700	700	700																								
	63	64	65																								
3.0	600	600	600	700	700	700	700	700																			
	56	57	59	61	62	63	64	65																			
4.0	600	600	600	600	600	600	600	700	700	700	700	700															
	49	51	53	55	56	58	59	61	62	63	64	65															
5.0	600	600	600	600	600	600	600	600	600	600	700	700	700	700	700												
	41	43	46	48	50	52	54	56	57	58	60	61	62	63	63	64	65										
6.0	500	500	500	600	600	600	600	600	600	600	600	600	600	600	600	700	700	700	700	700	700	700					
	32	34	38	41	44	46	48	50	52	54	55	56	57	59	60	61	62	62	63	64	65	65					
7.0	500	500	500	500	500	500	600	600	600	600	600	600	600	600	600	600	600	600	600	700	700	700	700	700	700	700	700
	18	23	28	33	36	39	42	44	47	48	50	52	53	54	56	57	58	59	60	61	61	62	63	64	64	65	
8.0	500	500	500	500	500	500	500	500	600	600	600	600	600	600	600	600	600	600	600	600	600	600	600	600	700	700	700
	(7.5)	(7.8)	14	22	27	31	35	38	41	43	45	47	48	50	51	53	54	55	56	57	58	59	60	61	61	62	
9.0			500	500	500	500	500	500	500	500	500	600	600	600	600	600	600	600	600	600	600	600	600	600	600	600	600
			(8.3)	(8.8)	13	21	26	30	34	37	39	41	43	45	47	48	50	51	52	54	55	56	57	57	58	59	
10.0					500	500	500	500	500	500	500	500	500	500	600	600	600	600	600	600	600	600	600	600	600	600	600
					(9.3)	(9.8)	13	20	25	29	33	35	38	40	42	44	46	47	48	50	51	52	53	54	55	56	
11.0							500	500	500	500	500	500	500	500	500	500	600	600	600	600	600	600	600	600	600	600	600
							(10.3)	(10.8)	12	19	24	28	31	34	37	39	41	42	44	46	47	48	50	51	52	53	
12									500	500	500	500	500	500	500	500	500	500	500	600	600	600	600	600	600	600	600
									(11.3)	(11.8)	12	19	24	27	31	33	36	37	40	41	43	45	46	47	48	50	
13											500	500	500	500	500	500	500	500	500	500	500	500	600	600	600	600	
											(12.3)	(12.8)	11	18	23	27	30	32	35	37	39	40	42	44	45	46	
14													500	500	500	500	500	500	500	500	500	500	500	500	600	600	
													(13.3)	(13.8)	11	18	22	25	29	31	34	36	38	39	41	42	
15															500	500	500	500	500	500	500	500	500	500	500	500	
															(14.3)	(14.8)	11	16	22	25	28	31	33	35	37	38	
16																	500	500	500	500	500	500	500	500	500	500	
																	(15.3)	(15.7)	11	17	21	25	27	30	32	34	
18																			500	500	500	500	500	500	500	500	
																			(16.3)	(16.8)	(17.3)	(17.8)	10	16	20	23	
19.77																									500	500	500
																									(18.3)	(18.8)	(19.8)

NOTE : WEIGHT OF HOOKS, BLOCKS & OTHER LOAD HANDLING DEVICES SHALL BE ADDED TO THE WEIGHT OF THE LOAD

MAC-25 4m FLYJIB TOP POSITION LOAD CHART - 40 DEG

ROBWAY DUTY **16**

COUNTERWEIGHT ON REAR OF CRANE - SPRING LOCKOUTS ENGAGED

S.W.L. ARE BASED ON 66.7% STABILITY & STRENGTH

S.W.L IN KILOGRAMS FOR SLEW ANGLES OF GREATER THAN 10 DEGREES UP TO 40 DEGREES EITHER SIDE OF STRAIGHT AHEAD (INDICATED BY RED LED ON DASH).

- S.W.L. ABOVE BOLD RED LINE ARE STRUCTURAL

BOOM ANGLE - UNDEFLECTED (REF.)

S.W.L. ARE BASED ON FIRM LEVEL GROUND WITH TYRES INFLATED AS PER NOTES

NOTE : VALUES IN BRACKETS () ARE ACTUAL RADIUS AT ZERO DEG. BOOM ANGLE.

LIFT & CARRY - THE S.W.L. SHALL BE CARRIED WITH THE MINIMUM BOOM LENGTH & AS

CLOSE TO THE GROUND AS POSSIBLE AT SPEEDS NOT IN EXCESS OF 0.4 M/SEC

Radius in Metres	BOOM PIVOT TO EDGE OF SHEAVE - THIRD BOOM RETRACTED (metres)																	THIRD BOOM EXTENDING (metres)									
	10.18	10.50	11.00	11.50	12.00	12.50	13.00	13.50	14.00	14.50	15.00	15.50	16.00	16.50	17.00	17.50	18.00	18.38	19.00	19.50	20.00	20.50	21.00	21.50	22.00	22.48	
1.6	700																										
	65																										
2.0	700	700	700																								
	63	64	65																								
3.0	600	600	600	700	700	700	700	700																			
	56	57	59	61	62	63	64	65																			
4.0	600	600	600	600	600	600	600	700	700	700	700	700															
	49	51	53	55	56	58	59	61	62	63	64	65															
5.0	600	600	600	600	600	600	600	600	600	600	700	700	700	700	700												
	41	43	46	48	50	52	54	56	57	58	60	61	62	63	63	64	65										
6.0	500	500	500	600	600	600	600	600	600	600	600	600	600	600	700	700	700	700	700	700	700	700					
	32	34	38	41	44	46	48	50	52	54	55	56	57	59	60	61	62	62	63	64	65	65					
7.0	500	500	500	500	500	500	600	600	600	600	600	600	600	600	600	600	600	600	600	700	700	700	700	700	700	700	700
	18	23	28	33	36	39	42	44	47	48	50	52	53	54	56	57	58	59	60	61	61	62	63	64	64	65	
8.0	500	500	500	500	500	500	500	500	600	600	600	600	600	600	600	600	600	600	600	600	600	600	600	600	700	700	700
	(7.5)	(7.8)	14	22	27	31	35	38	41	43	45	47	48	50	51	53	54	55	56	57	58	59	60	61	61	62	
9.0			500	500	500	500	500	500	500	500	500	600	600	600	600	600	600	600	600	600	600	600	600	600	600	600	600
			(8.3)	(8.8)	13	21	26	30	34	37	39	41	43	45	47	48	50	51	52	54	55	56	57	57	58	59	
10.0					500	500	500	500	500	500	500	500	500	500	600	600	600	600	600	600	600	600	600	600	600	600	600
					(9.3)	(9.8)	13	20	25	29	33	35	38	40	42	44	46	47	48	50	51	52	53	54	55	56	
11.0							500	500	500	500	500	500	500	500	500	500	600	600	600	600	600	600	600	600	600	600	600
							(10.3)	(10.8)	12	19	24	28	31	34	37	39	41	42	44	46	47	48	50	51	52	53	
12									500	500	500	500	500	500	500	500	500	500	500	600	600	600	600	600	600	600	600
									(11.3)	(11.8)	12	19	24	27	31	33	36	37	40	41	43	45	46	47	48	50	
13											500	500	500	500	500	500	500	500	500	500	500	500	600	600	600	600	
											(12.3)	(12.8)	11	18	23	27	30	32	35	37	39	40	42	44	45	46	
14													500	500	500	500	500	500	500	500	500	500	500	500	600	600	
													(13.3)	(13.8)	11	18	22	25	29	31	34	36	38	39	41	42	
15															500	500	500	500	500	500	500	500	500	500	500	500	
															(14.3)	(14.8)	11	16	22	25	28	31	33	35	37	38	
16																	500	500	500	500	500	500	500	500	500	500	
																	(15.3)	(15.7)	11	17	21	25	27	30	32	34	
18																			500	500	500	500	500	500	500	500	
																			(16.3)	(16.8)	(17.3)	(17.8)	10	16	20	23	
19.77																									500	500	500
																								(18.3)	(18.8)	(19.8)	

MAC-25 MAN BASKET LOAD CHART - 10 DEG. ART.

ROBWAY DUTY **17**

COUNTERWEIGHT ON REAR OF CRANE - SPRING LOCKOUTS ENGAGED

275 S.W.L IN KILOGRAMS FOR SLEW ANGLES OF 10 DEGREES OR LESS EITHER SIDE OF STRAIGHT AHEAD (INDICATED BY GREEN LED ON DASH).
275 BOOM ANGLE - UNDEFLECTED (REF.)

MAN BASKET S.W.L. : **275** KG TARE WEIGHT: **250** KG
 S.W.L. ARE BASED ON FALL BLOCK LOAD RATINGS DIVIDED BY THREE WHERE THIS IS LESS THAN THE STRUCTURAL RATING OF THE BASKET
 S.W.L. ARE BASED ON FIRM LEVEL GROUND WITH TYRES INFLATED AS PER NOTES

NOTE : VALUES IN BRACKETS () ARE ACTUAL RADIUS AT ZERO DEG. BOOM ANGLE.

Radius in Metres	BOOM PIVOT TO HEAD SHEAVES - THIRD BOOM RETRACTED (metres)																	THIRD BOOM EXTENDING (metres)									
	6.12	6.50	7.00	7.50	8.00	8.50	9.00	9.50	10.00	10.50	11.00	11.50	12.00	12.50	13.00	13.50	14.32	14.50	15.00	15.50	16.00	16.50	17.00	17.50	18.00	18.42	
1.4	275	275	275	275	275	275	275	275																			
	48	51	54	57	59	61	63	65																			
2.0	275	275	275	275	275	275	275	275	275	275	275																
	40	44	48	51	54	57	59	61	62	64	65																
2.5	275	275	275	275	275	275	275	275	275	275	275	275	275														
	32	37	42	46	50	52	55	57	59	61	62	63	65														
3.0	275	275	275	275	275	275	275	275	275	275	275	275	275	275	275	275											
	21	29	35	41	45	48	51	53	55	57	59	61	62	63	64	65											
3.5	275	275	275	275	275	275	275	275	275	275	275	275	275	275	275	275	275	275									
	(3.4)	17	28	34	39	43	47	49	52	54	56	58	59	61	62	63	65	65									
4.0		275	275	275	275	275	275	275	275	275	275	275	275	275	275	275	275	275	275	275							
		(3.8)	17	27	33	38	42	45	48	51	53	55	56	58	59	61	62	63	64	65							
5.0			275	275	275	275	275	275	275	275	275	275	275	275	275	275	275	275	275	275	275	275	275	275	275	275	
			(4.3)	(4.8)	16	25	31	36	40	43	46	48	50	52	54	56	58	58	59	61	62	63	63	64	65		
6.0					275	275	275	275	275	275	275	275	275	275	275	275	275	275	275	275	275	275	275	275	275	275	
					(5.3)	(5.8)	15	24	30	34	38	41	44	46	48	50	53	53	55	56	57	58	60	61	61	62	
7.0							275	275	275	275	275	275	275	275	275	275	275	275	275	275	275	275	275	275	275	275	
							(6.3)	(6.8)	14	23	28	33	36	39	42	44	48	48	50	52	53	54	56	57	58	59	
8.0									275	275	275	275	275	275	275	275	275	275	275	275	275	275	275	275	275	275	
									(7.3)	(7.8)	13	22	27	31	35	38	42	43	45	47	48	50	51	53	54	55	
9.0											275	275	275	275	275	275	275	275	275	275	275	275	275	275	275	275	
											(8.3)	(8.8)	13	21	26	30	35	36	39	41	43	45	47	48	50	51	
10													275	275	275	275	275	275	275	275	275	275	275	275	275	275	
													(9.3)	(9.8)	12	20	28	29	32	35	38	40	42	44	45	47	
11															275	275	275	275	275	275	275	275	275	275	275	275	
															(10.3)	(10.8)	17	19	24	28	31	34	37	39	41	42	
12																	275	275	275	275	275	275	275	275	275	275	
																	(11.6)	(11.8)	12	19	23	27	30	33	36	37	
13																			275	275	275	275	275	275	275	275	
																			(12.3)	(12.8)	11	18	23	27	30	32	
14																					275	275	275	275	275	275	
																					(13.3)	(13.8)	11	18	22	25	
15																						275	275	275	275	275	
																						(14.3)	(14.8)	10	16		
15.71																								275	275		
																								(15.3)	(15.7)		

NOTE : WEIGHT OF HOOKS, BLOCKS & OTHER LOAD HANDLING DEVICES SHALL BE ADDED TO THE WEIGHT OF THE LOAD

MAC-25 MAN BASKET LOAD CHART - 40 DEG. ART.

ROBWAY DUTY **17**

COUNTERWEIGHT ON REAR OF CRANE - SPRING LOCKOUTS ENGAGED

275 S.W.L IN KILOGRAMS FOR SLEW ANGLES OF GREATER THAN 10 DEGREES UP TO 40 DEGREES EITHER SIDE OF STRAIGHT AHEAD (INDICATED BY RED LED ON DASH).
275 BOOM ANGLE - UNDEFLECTED (REF.)

MAN BASKET S.W.L. : **275** KG TARE WEIGHT: **250** KG
 S.W.L. ARE BASED ON FALL BLOCK LOAD RATINGS DIVIDED BY THREE WHERE THIS IS LESS THAN THE STRUCTURAL RATING OF THE BASKET
 S.W.L. ARE BASED ON FIRM LEVEL GROUND WITH TYRES INFLATED AS PER NOTES

NOTE : VALUES IN BRACKETS () ARE ACTUAL RADIUS AT ZERO DEG. BOOM ANGLE.

Radius in Metres	BOOM PIVOT TO HEAD SHEAVES - THIRD BOOM RETRACTED (metres)														THIRD BOOM EXTENDING (metres)											
	6.12	6.50	7.00	7.50	8.00	8.50	9.00	9.50	10.00	10.50	11.00	11.50	12.00	12.50	13.00	13.50	14.32	14.50	15.00	15.50	16.00	16.50	17.00	17.50	18.00	18.42
1.4	275	275	275	275	275	275	275	275																		
	48	51	54	57	59	61	63	65																		
2.0	275	275	275	275	275	275	275	275	275	275	275															
	40	44	48	51	54	57	59	61	62	64	65															
2.5	275	275	275	275	275	275	275	275	275	275	275	275	275													
	32	37	42	46	50	52	55	57	59	61	62	63	65													
3.0	275	275	275	275	275	275	275	275	275	275	275	275	275	275	275											
	21	29	35	41	45	48	51	53	55	57	59	61	62	63	64	65										
3.5	275	275	275	275	275	275	275	275	275	275	275	275	275	275	275	275	275									
	(3.4)	17	28	34	39	43	47	49	52	54	56	58	59	61	62	63	65	65								
4.0	275	275	275	275	275	275	275	275	275	275	275	275	275	275	275	275	275	275	275	275						
	(3.8)	17	27	33	38	42	45	48	51	53	55	56	58	59	61	62	63	64	65							
5.0			275	275	275	275	275	275	275	275	275	275	275	275	275	275	275	275	275	275	275	275	275	275	275	275
			(4.3)	(4.8)	16	25	31	36	40	43	46	48	50	52	54	56	58	58	59	61	62	63	63	64	65	
6.0					275	275	275	275	275	275	275	275	275	275	275	275	275	275	275	275	275	275	275	275	275	275
					(5.3)	(5.8)	15	24	30	34	38	41	44	46	48	50	53	53	55	56	57	58	60	61	61	62
7.0							275	275	275	275	275	275	275	275	275	275	275	275	275	275	275	275	275	275	275	275
							(6.3)	(6.8)	14	23	28	33	36	39	42	44	48	48	50	52	53	54	56	57	58	59
8.0									275	275	275	275	275	275	275	275	275	275	275	275	275	275	275	275	275	275
									(7.3)	(7.8)	13	22	27	31	35	38	42	43	45	47	48	50	51	53	54	55
9.0											275	275	275	275	275	275	275	275	275	275	275	275	275	275	275	
											(8.3)	(8.8)	13	21	26	30	35	36	39	41	43	45	47	48	50	51
10													275	275	275	275	275	275	275	275	275	275	275	275	275	
													(9.3)	(9.8)	12	20	28	29	32	35	38	40	42	44	45	47
11															275	275	275	275	275	275	275	275	275	275	275	275
															(10.3)	(10.8)	17	19	24	28	31	34	37	39	41	42
12																	275	275	275	275	275	275	275	275	275	275
																	(11.6)	(11.8)	12	19	23	27	30	33	36	37
13																			275	275	275	275	275	275	275	275
																			(12.3)	(12.8)	11	18	23	27	30	32
14																					275	275	275	275	275	275
																					(13.3)	(13.8)	11	18	22	25
15																						275	275	275	275	275
																						(14.3)	(14.8)	10	16	
15.71																									265	250
																									(15.3)	(15.7)

NOTE : WEIGHT OF HOOKS, BLOCKS & OTHER LOAD HANDLING DEVICES SHALL BE ADDED TO THE WEIGHT OF THE LOAD

MAC-25 BUTT LUG - 10 DEG. ART.

COUNTERWEIGHT ON REAR OF CRANE - SPRING LOCKOUTS ENGAGED



S.W.L IN KILOGRAMS FOR SLEW ANGLES OF 10 DEGREES OR LESS EITHER SIDE OF STRAIGHT AHEAD (INDICATED BY GREEN LED ON DASH).



BOOM ANGLE - UNDEFLECTED (REF.)

NOTE: VALUES IN BRACKETS () ARE ACTUAL RADIUS AT ZERO DEG. BOOM ANGLE. SWL IS AT THIS RADIUS

MAC-25 BUTT LUG - 40 DEG. ART.

COUNTERWEIGHT ON REAR OF CRANE - SPRING LOCKOUTS ENGAGED



S.W.L IN KILOGRAMS FOR SLEW ANGLES OF GREATER THAN 10 DEGREES UP TO 40 DEGREES EITHER SIDE OF STRAIGHT AHEAD (INDICATED BY RED LED ON DASH).



BOOM ANGLE - UNDEFLECTED (REF.)

NOTE: VALUES IN BRACKETS () ARE ACTUAL RADIUS AT ZERO DEG. BOOM ANGLE. SWL IS AT THIS RADIUS

S.W.L. ARE BASED ON 66.7% STABILITY & STRENGTH - S.W.L. ABOVE BOLD RED LINE ARE STRUCTURAL - S.W.L. ARE BASED ON FIRM, LEVEL GROUND WITH TYRES INFLATED AS PER NOTES LIFT & CARRY - THE S.W.L. SHALL BE CARRIED WITH THE MINIMUM BOOM LENGTH & AS CLOSE TO THE GROUND AS POSSIBLE AT SPEEDS NOT IN EXCESS OF 0.4 M/SEC

NOTE : WEIGHT OF HOOKS, BLOCKS & OTHER LOAD HANDLING DEVICES SHALL BE ADDED TO THE WEIGHT OF THE LOAD

Radius in Metres	Boom Length (metres)
	4.81
1.4	25000
	32
1.5	24650
	30
1.6	24200
	27
1.7	23800
	24
1.8	23350
	21
1.9	22950
	18
2.1	20950
	0

NOTE : WEIGHT OF HOOKS, BLOCKS & OTHER LOAD HANDLING DEVICES SHALL BE ADDED TO THE WEIGHT OF THE LOAD

Radius in Metres	Boom Length (metres)
	4.81
1.4	25000
	32
1.5	24650
	30
1.6	24200
	27
1.7	23600
	24
1.8	22200
	21
1.9	20900
	18
2.1	18650
	0

MAC25 LUG 1 LOAD CHART - 10 DEG. ART.

COUNTERWEIGHT ON REAR OF CRANE - SPRING LOCKOUTS ENGAGED



S.W.L IN KILOGRAMS FOR SLEW ANGLES OF 10 DEGREES OR LESS EITHER SIDE OF STRAIGHT AHEAD (INDICATED BY GREEN LED ON DASH).



BOOM ANGLE - UNDEFLECTED (REF.)

NOTE: VALUES IN BRACKETS () ARE ACTUAL RADIUS AT ZERO DEG. BOOM ANGLE SWL IS AT THIS RADIUS

MAC25 LUG 1 LOAD CHART - 40 DEG. ART.

COUNTERWEIGHT ON REAR OF CRANE - SPRING LOCKOUTS ENGAGED



S.W.L IN KILOGRAMS FOR SLEW ANGLES OF GREATER THAN 10 DEGREES UP TO 40 DEGREES EITHER SIDE OF STRAIGHT AHEAD (INDICATED BY RED LED ON DASH).



BOOM ANGLE - UNDEFLECTED (REF.)

NOTE: VALUES IN BRACKETS () ARE ACTUAL RADIUS AT ZERO DEG. BOOM ANGLE SWL IS AT THIS RADIUS

S.W.L. ARE BASED ON 66.7% STABILITY & STRENGTH - S.W.L. ABOVE BOLD RED LINE ARE STRUCTURAL - S.W.L. ARE BASED ON FIRM, LEVEL GROUND WITH TYRES INFLATED AS PER NOTES LIFT & CARRY - THE S.W.L. SHALL BE CARRIED WITH THE MINIMUM BOOM LENGTH & AS CLOSE TO THE GROUND AS POSSIBLE AT SPEEDS NOT IN EXCESS OF 0.4 M/SEC

NOTE : WEIGHT OF HOOKS, BLOCKS & OTHER LOAD HANDLING DEVICES SHALL BE ADDED TO THE WEIGHT OF THE LOAD

RADIUS IN METRES	BOOM PIVOT TO LUG 1, 1st EXTENSION, THIRD EXTENSION RETRACTED (metres)									
	5.36	5.50	6.00	6.50	7.00	7.50	8.00	8.50	9.00	9.46
1.4	25000	25000	25000	25000	25000	25000	25000	24800	24650	24000
	40	42	47	51	54	57	59	61	63	64
2	22650	22550	22250	21950	21750	21500	21350	21150	21000	20900
	29	31	38	44	48	51	54	56	59	60
2.5	17750	17700	17450	17200	17000	16800	16650	16500	16400	16300
	14	19	30	37	42	46	49	52	55	57
3	16600	15600	14200	14000	13850	13700	13550	13400	13300	13200
	(2.7)	(2.8)	18	29	35	41	45	48	51	53
3.5			12700	11750	11600	11450	11300	11200	11100	11000
			(3.3)	17	28	34	39	43	46	49
4				10550	9850	9750	9600	9500	9400	9350
				(3.8)	17	27	33	38	42	45
5					8950	7650	7250	7150	7100	7000
					(4.3)	(4.8)	16	25	31	36
6							6600	5750	5500	5450
							(5.3)	(5.8)	15	23
6.8									5000	4450
									(6.3)	(6.8)

RADIUS IN METRES	BOOM PIVOT TO LUG 1, 1st EXTENSION, THIRD EXTENSION RETRACTED (metres)										
	5.36	5.50	6.00	6.50	7.00	7.50	8.00	8.50	9.00	9.46	
1.4	25000	24900	19800	17850	16350	15100	14100	13200	12400	11800	
	40	42	47	51	54	57	59	61	63	64	
2	20250	20150	19500	17800	15200	13900	12850	11950	11200	10600	
	29	31	38	44	48	51	54	56	59	60	
2.5	15800	15750	15500	15250	14600	13550	12700	11050	10300	9750	
	14	19	30	37	42	46	49	52	55	57	
3	14750	13850	12600	12400	12200	12050	11300	10650	10050	8950	
	(2.7)	(2.8)	18	29	35	41	45	48	51	53	
3.5				11200	10350	10200	10050	9900	9550	9000	8550
				(3.3)	17	28	34	39	43	46	49
4					9300	8650	8550	8400	8300	8100	7700
					(3.8)	17	27	33	38	42	45
5						7800	6650	6300	6200	6100	6050
						(4.3)	(4.8)	16	25	31	36
6								5700	4900	4700	4650
								(5.3)	(5.8)	15	23
6.8										4250	3750
										(6.3)	(6.8)

MAC-25 LUG 2 LOAD CHART - 10 DEG. ART.

ROBWAY DUTY **20**

COUNTERWEIGHT ON REAR OF CRANE - SPRING LOCKOUTS ENGAGED



S.W.L IN KILOGRAMS FOR SLEW ANGLES OF 10 DEGREES OR LESS EITHER SIDE OF STRAIGHT AHEAD (INDICATED BY GREEN LED ON DASH).



BOOM ANGLE - UNDEFLECTED (REF.)

S.W.L. ARE BASED ON 66.7% STABILITY & STRENGTH

- S.W.L. ABOVE BOLD RED LINE ARE STRUCTURAL

S.W.L. ARE BASED ON FIRM LEVEL GROUND WITH TYRES

INFLATED AS PER THE NOTES

NOTE : VALUES IN BRACKETS () ARE ACTUAL RADIUS AT ZERO DEG. BOOM ANGLE.

LIFT & CARRY - THE S.W.L. SHALL BE CARRIED WITH THE MIN BOOM LENGTH & AS CLOSE TO THE GROUND AS POSSIBLE AT SPEEDS NOT IN EXCESS OF 0.4 M/SEC

Radius in Metres	BOOM PIVOT TO LUG 2, 2nd EXTENSION, THIRD EXTENSION RETRACTED (metres)																	
	5.57	6.00	6.50	7.00	7.50	8.00	8.50	9.00	9.50	10.00	10.50	11.00	11.50	12.00	12.50	13.00	13.50	13.77
1.4	25000	25000	25000	25000	25000	25000	25000	25000	25000									
	42	46	50	54	57	59	61	63	64									
2	22800	22750	22750	22700	22700	22650	22650	22600	22600	22550	21850	19400						
	32	38	43	47	51	54	56	58	60	62	63	64						
2.5	17900	17900	17900	17850	17850	17850	17800	17800	17800	17750	17750	17700	16550	15650				
	20	29	36	42	46	49	52	54	57	58	60	62	63	64				
3	15350	14650	14600	14600	14600	14600	14550	14550	14550	14550	14500	14400	13600	12900	12200			
	15	18	28	35	40	44	48	50	53	55	57	59	60	61	63			
3.5	15350	13150	12300	12300	12300	12300	12300	12300	12250	12250	12250	12250	12250	12200	12200	11900	11250	10900
	(2.9)	(3.3)	17	27	34	39	43	46	49	51	54	55	57	59	60	61	62	63
4			11200	10550	10600	10550	10550	10550	10550	10550	10550	10500	10500	10500	10500	10500	10450	10150
			(3.8)	16	26	33	38	42	45	48	50	52	54	56	57	59	60	61
5				9650	8500	8150	8150	8150	8150	8100	8100	8100	8100	8100	8100	8100	8100	8050
				(4.3)	(4.8)	15	25	31	36	39	43	45	48	50	52	53	55	56
6						7500	6700	6500	6500	6500	6500	6500	6500	6500	6500	6500	6450	6450
						(5.3)	(5.8)	14	23	29	34	37	41	43	46	48	50	51
7								6050	5500	5350	5350	5350	5350	5350	5350	5350	5350	5350
								(6.3)	(6.8)	14	22	28	32	36	39	42	44	45
8										5000	4550	4450	4450	4450	4450	4450	4450	4450
										(7.3)	(7.8)	13	21	27	31	34	37	39
9												4200	3850	3800	3800	3800	3800	3800
												(8.3)	(8.8)	12	20	26	30	32
10														3550	3300	3250	3250	3250
														(9.3)	(9.8)	12	19	23
11																3050	2800	2800
																(10.3)	(10.8)	6
11.1																		2700
																		(11.1)

MAC-25 LUG 2 LOAD CHART - 40 DEG. ART.

ROBWAY DUTY **20**

COUNTERWEIGHT ON REAR OF CRANE - SPRING LOCKOUTS ENGAGED



S.W.L IN KILOGRAMS FOR SLEW ANGLES OF GREATER THAN 10 DEGREES UP TO 40 DEGREES EITHER SIDE OF STRAIGHT AHEAD (INDICATED BY RED LED ON DASH).

S.W.L. ARE BASED ON 66.7% STABILITY & STRENGTH



BOOM ANGLE - UNDEFLECTED (REF.)

- S.W.L. ABOVE BOLD RED LINE ARE STRUCTURAL

S.W.L. ARE BASED ON FIRM LEVEL GROUND WITH TYRES

NOTE: VALUES IN BRACKETS () ARE ACTUAL RADIUS AT ZERO DEG. BOOM ANGLE.

INFLATED AS PER THE NOTES

LIFT & CARRY - THE S.W.L. SHALL BE CARRIED WITH THE MIN BOOM LENGTH & AS CLOSE TO THE GROUND AS POSSIBLE AT SPEEDS NOT IN EXCESS OF 0.4 M/SEC

Radius in Metres	BOOM PIVOT TO LUG 2, 2nd EXTENSION, THIRD EXTENSION RETRACTED (METRES)																	
	5.57	6.00	6.50	7.00	7.50	8.00	8.50	9.00	9.50	10.00	10.50	11.00	11.50	12.00	12.50	13.00	13.50	13.77
1.4	22150	20050	18300	16900	15750	14800	14000	13300	12650									
	42	46	50	54	57	59	61	63	64									
2	20350	19900	18400	15800	14600	13650	12850	12150	11550	11050	10550	10100						
	32	38	43	47	51	54	56	58	60	62	63	64						
2.5	15950	15950	15950	15350	14450	13700	11950	11300	10750	10250	9800	9400	9000	8700				
	20	29	36	42	46	49	52	54	57	58	60	62	63	64				
3	13650	13000	13000	12300	11700	11200	10000	9500	9100	8700	8350	8050	7800	7500	7300			
	14	18	28	35	40	44	48	50	53	55	57	59	60	61	63			
3.5	13650	11650	10950	10950	10950	10900	10600	10100	9700	8850	8450	8100	7750	7500	7250	7000	6750	6650
	(2.9)	(3.3)	17	27	34	39	43	46	49	51	54	55	57	59	60	61	62	63
4			9900	9350	9350	9350	9350	9250	8850	8500	8200	7550	7250	6950	6750	6500	6300	6200
			(3.8)	16	26	33	38	42	45	48	50	52	54	56	57	59	60	61
5				8550	7450	7150	7150	7150	7150	7150	6950	6700	6500	6300	6150	5650	5500	5400
				(4.3)	(4.8)	15	25	31	36	39	43	45	48	50	52	53	55	56
6						6600	5900	5700	5700	5700	5700	5700	5600	5400	5250	5100	5000	4900
						(5.3)	(5.8)	14	23	29	34	37	41	43	46	48	50	51
7								5300	4750	4650	4650	4650	4650	4650	4600	4450	4350	4300
								(6.3)	(6.8)	14	22	28	32	36	39	42	44	45
8										4300	3950	3850	3850	3850	3850	3850	3800	3750
										(7.3)	(7.8)	13	21	27	31	34	37	39
9												3600	3300	3250	3250	3250	3250	3250
												(8.3)	(8.8)	12	20	26	30	32
10														3000	2800	2750	2750	2750
														(9.3)	(9.8)	12	19	23
11																2550	2350	2350
																(10.3)	(10.8)	6
11.1																		2250
																		(11.1)